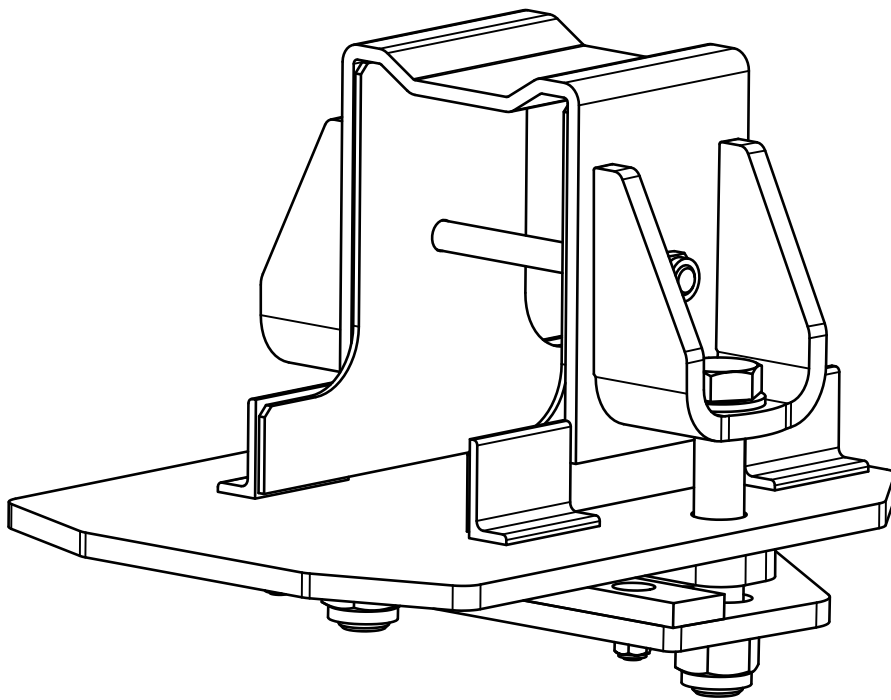


D/E/144-Series

Flyttbart justerbart glidfäste / Movable adjustable glide attachment

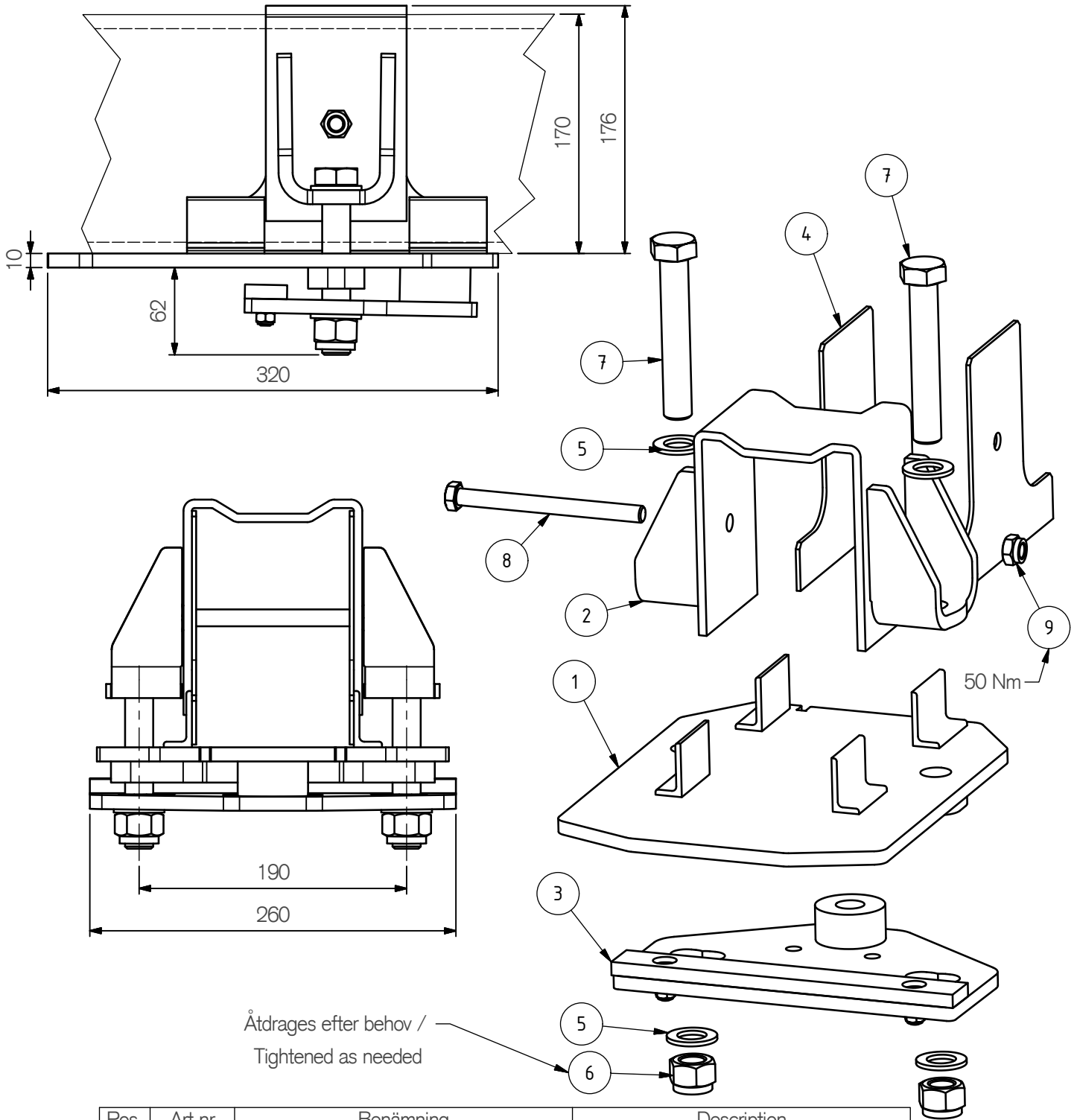
Art.nr 803195



803195 2017-02-18

ExTe

Securing cargo. We invented the concept.



Pos.	Art.nr	Benämning	Description
1	800761	MONTERINGSPLATTA	MOUNTING PLATE
2	800765	ÖVERBYGEL	UPPER CLAMP
3	800981	UNDERBYGEL	LOWER CLAMP
4	803073	PLASTDISTANS	PLASTIC DISTANCE
5	211902	BRICKA BRB M20 FZB	WASHER MRM M20 FZB
6	211861	LÅSMUTTER LM6M HÖG M20 FZB	LOCKING NUT LM6M HIGH M20 FZB
7	211168	SKRUV M6S M20x120 FZB	SCREW M6S M20x120 FZB
8	211098	SKRUV M6S M12x140 FZB	SCREW M6S M12x140 FZB
9	211857	LÅSMUTTER LM6M LÅG M12 FZB	LOCKING NUT LM6M LOW M12 FZB

ExTe

Securing cargo. We invented the concept.