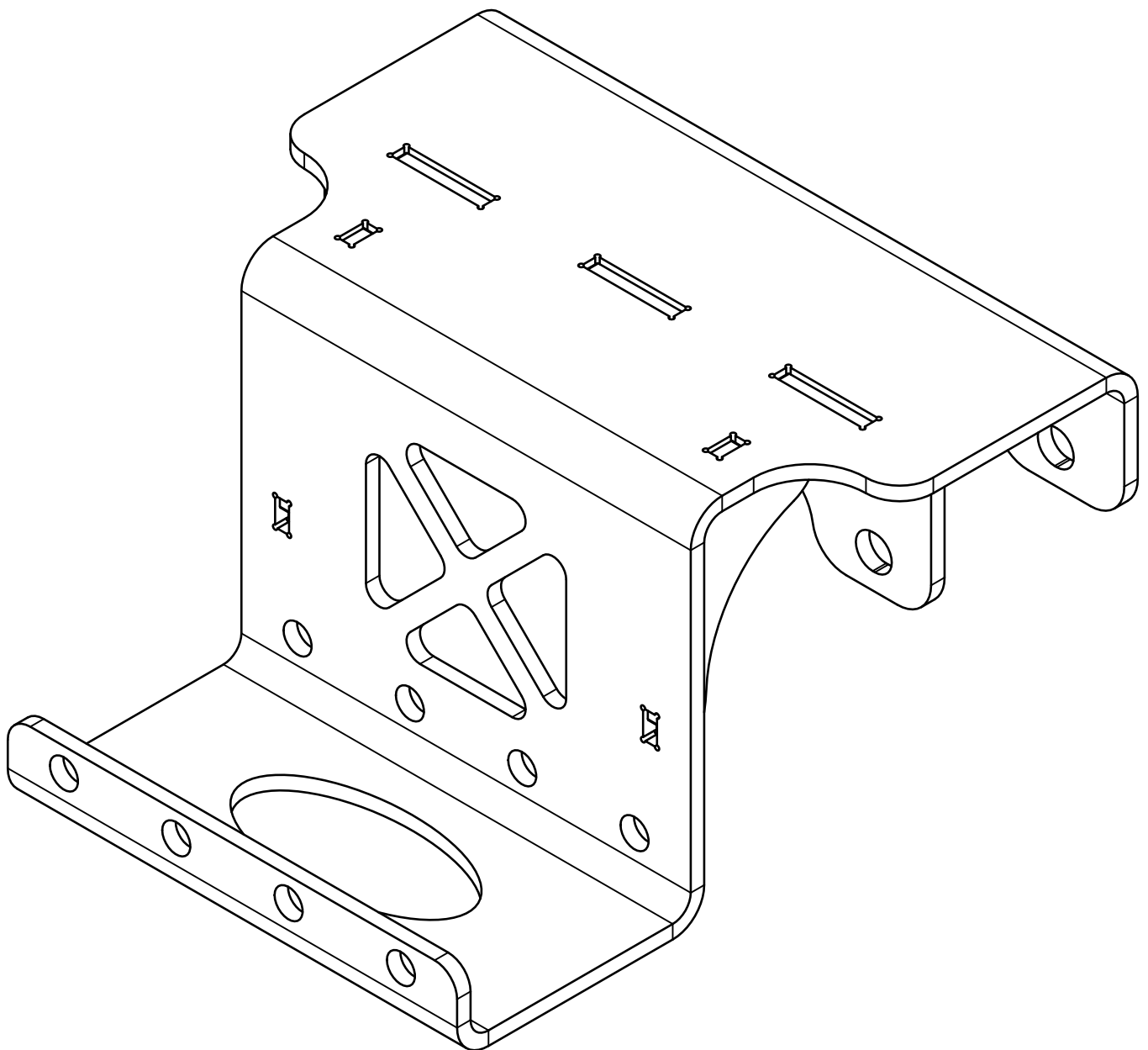


# D / 144 - Series

Uppflyttat fäste 801 / Upward moved attachment 801 / GERMAN TITLE?

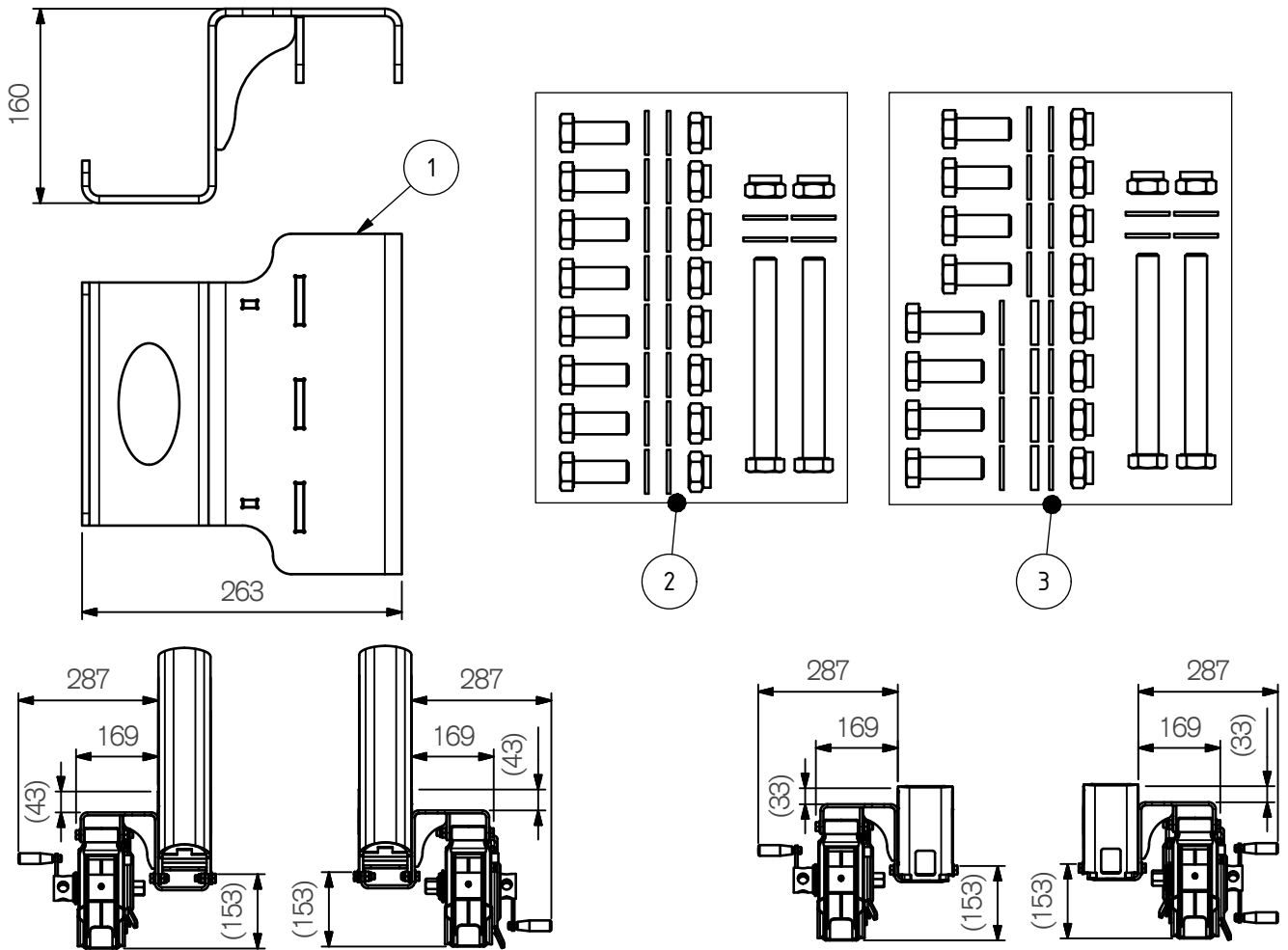
Art.nr 780170



780170 2017-01-17

# ExTe

Securing cargo. We invented the concept.



Referensmåttan (xx) ovan är från toppen respektive botten av stommen /  
 The reference measure (xx) above is from the top and the bottom of the bolster /  
 German text. 1

Pos.	QTY	Art.nr	Benämning	Description	Bezeichnung
1	1	780170	UPPFlyTTAT FÄSTE 801	UPWARD MOVED ATTACHMENT 801	GERMAN TEXT 2

Pos.	QTY	Art.nr	Benämning	Description	Bezeichnung
2	1	780200	SKRUVSATS D-SERIEN	SCREW KIT D-SERIES	SCHRAUBENSATZ D-SERIES
	8	211082	SKRUV M6S M12x30 FZB	SCREW M6S M12x30 FZB	SCHRAUBE M6S M12x30 FZB
	20	211907	BRICKA BRB M12 FZB	WASHER BRB M12 FZB	SCHEIBE BRB M12 FZB
	10	211857	LÄSMUTTER LM6M M12 FZB	LOCKING NUT LM6M M12 FZB	STOP MUTTER LM6M M12 FZB
	2	211091	SKRUV M6S M12x110 FZB	SCREW M6S M12x110 FZB	SCHRAUBE M6S M12x110 FZB

Pos.	QTY	Art.nr	Benämning	Description	Bezeichnung
3	1	780201	SKRUVSATS 144-SERIEN	SCREW KIT 144-SERIES	SCHRAUBENSATZ 144-SERIES
	4	211082	SKRUV M6S M12x30 FZB	SCREW M6S M12x30 FZB	SCHRAUBE M6S M12x30 FZB
	20	211907	BRICKA BRB M12 FZB	WASHER BRB M12 FZB	SCHEIBE BRB M12 FZB
	10	211857	LÄSMUTTER LM6M M12 FZB	LOCKING NUT LM6M M12 FZB	STOP MUTTER LM6M M12 FZB
	2	211091	SKRUV M6S M12x110 FZB	SCREW M6S M12x110 FZB	SCHRAUBE M6S M12x110 FZB
	4	211083	SKRUV M6S M12x35 FZB	SCREW M6S M12x35 FZB	SCHRAUBE M6S M12x110 FZB
	4	211947	BRICKA TBRUB M12 FZB	WASHER TBRUB M12 FZB	SCHEIBE TBRUB M12 FZB



Securing cargo. We invented the concept.