

# LuftMan

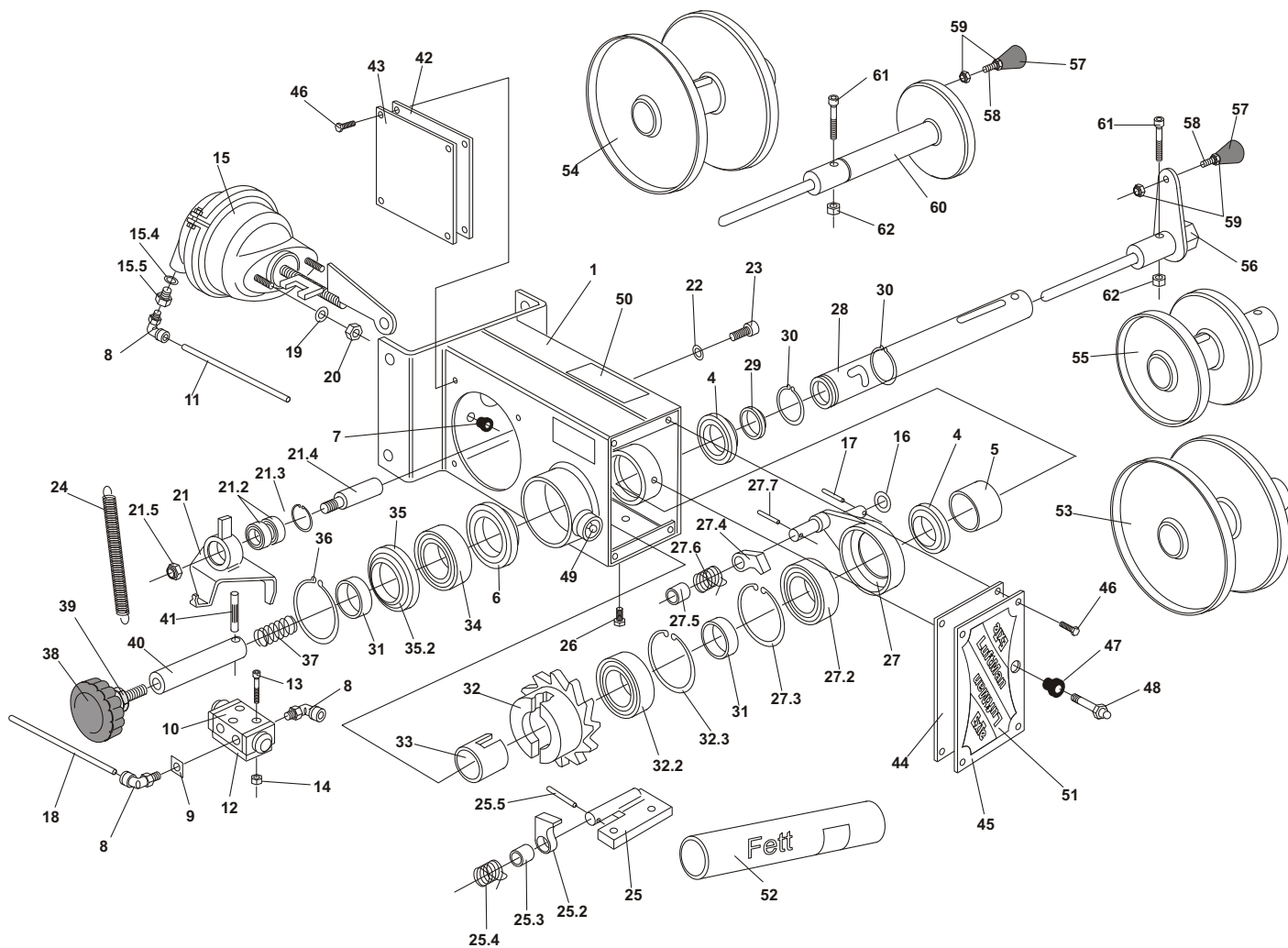
## Reservdelista / Spare Parts List

2005 10 20



# ExTe

Securing cargo. We invented the concept.



Pos Fig	Det.nr Part.No	Ingår Fitted	Benämning	Description
--	802050	x	Luftman grundutförande	Luftman tensioner
1	802099	1	*Hus	*Housing
2	240502	1	*Märkskylt	*Sign
3	240208	4	*Popnit	*Rivet
4	802153	2	*Tätning 35 mm	*Sealing 35 mm
5	802079	1	*Glidlager	*Bearing
6	802154	1	*Tätning 40 mm	*Sealing 40 mm
7	802059	1	*Gummigenomföring	*Rubber protection
8	802061	3	*Vinkelnippel	*Elbow connection
9	240094	1	*Tätning	*Sealing
10	800169	1	*Växlingsventil	*Valve
11	802062	1	*Plastslang	*Plastic hose
12	802092	1	*Mellanlägg	*Spacer
13	800170	3	*Skruv M6S 4x35 FZB	*Screw M6S 4x35 FZB
14	800171	3	*Mutter M4 Locking	*Nut M4 Locking
15	802097	1	*Cylinder kompl.	*Cylinder compl.
15.4	802267	1	**Kopparbricka	**Sealring
15.5	802070	1	**Gångreducering	**Reducing nipple
16	800179	1	*Bricka	*Washer
17	800180	1	*Fjäderpinne	*Springpin
18	802062	1	*Plastslang	*Plastic hose
19	800156	2	*Bricka	*Washer
20	800157	2	*Mutter	*Nut
21	802093	1	*Pendel kompl.	*Pendling arm compl.
21.2	802073	2	**Lager	**Bearing
21.3	800160	1	**Låsring SGH 26	**Lock ring SGH 26
21.4	802160	1	**Distansaxel	**Axle
21.5	211856	1	**Mutter M10 Locking	**Nut M10 Locking

Pos Fig	Det.nr Part.No	Ingår Fitted	Benämning	Description
22	800178	3	*Bricka	*Washer
23	800194	1	*Skruv M6S M8x20 FZB	*Screw M6S M8x20 FZB
24	800198	1	*Dragfjäder	*Spring
25	802090	1	*Hållare inkl. Spärr kmpl.	*Bracket incl. Catch cmpl.
25.2	402064	1	**Spärrtand	**Catch
25.3	402063	1	**Distanshylsa	**Sleeve
25.4	800206	1	**Spring	**Spring
25.5	800200	1	**Fjäderpinne 4x40	**Pin 4x40
26	800173	2	*Skruv M6S M8x16	*Screw M6S M8x16
27	802089	1	*Växlingsnav kmpl.	*Gear
27.2	802072	1	**Lager	**Bearing
27.3	800188	1	**Låsring SGH 62	**Lockring SGH 62
27.4	402064	1	**Spärrtand	**Catch
27.5	402063	1	**Distanshylsa	**Sleeve
27.6	800206	1	**Vridfjäder	**Spring
27.7	800200	1	**Fjäderpinne 4x40	**Pin 4x40
28	402095	1	*Axel	*Axle
29	802152	1	*Tätning 20 mm	*Sealing 20 mm
30	800167	2	*Låsring SGH 35	*Lockring SGH 35
31	802086	2	*Distansring L=11mm	*Spacer L=11mm
32	802088	1	*Tandhjul kmpl.	*Cog-wheel cmpl.
32.2	802072	1	**Lager	**Bearing
32.3	800188	1	**Låsring SGH 62	**Lockring SGH 62
33	802085	1	*Distansring, axel	*Space ring, axle
34	802071	1	*Lager	*Bearing
35	802082	1	*Stödring kmpl. m. Tätning	*Support ring cmpl incl. Sealing
35.2	802154		**Avstrykare	**Sealing
36	800188	1	*Låsring SGH 62	*Lockring SGH 62
37	800208	1	*Tryckfjäder	*Spring
38	802106	1	*Vred	*Knob
39	802155	1	*Mutter M12	*Nut M12
40	802084	1	*Frikopplingsaxel	*Trigger axle
41	800196	1	*Räffelpinne	*Pin
42	800154	1	*Gummitätning sida	*Rubber sealing, side
43	800153	1	*Sidolucka	*Side cover
44	800183	1	*Gummitätning front	*Rubber sealing, front
45	800182	1	*Frontlucka	*Front cover
46	800155	8	*Skruv M6SF 6x12 FZB	*Screw M6SF 6x12 FZB
47	802064	1	*Gummigenomföring	*Rubber protection
48	802063	1	*Smörjrör inkl. Nippel	*Grease pipe incl.lubricator
49	800166	1	*Smörjnippel rak M6	*Lubricator, straight M6
50	800181	1	*Servicedekal	*Service decal
51	800193	1	*Dekal frontlucka	*Decal, front cover
52	802109	1	*Specialfett	*Special grease
53	802134	1	Stor trumma std.60mm	Large drum 60mm
54	802135	1	Stor trumma bred 80mm	Large drum, 80mm
55	802133	1	Liten trumma	Small drum
56	802131	1	Vev	Crank
57	800185	1	Handtag	Handle
58	211611	1	Skruv MC6S 10x55 FZB	Screw MC6S 10x55 FZB
59	211856	2	Mutter M10 Locking	Nut M10 Locking
60	802132	1	Förlängningsaxel	Extension shaft
61	211045	1	Skruv MC6S 8x50	Screw MC6S 8x50
62	211855	1	Mutter M8 Locking	Nut M8 Locking

# ExTe