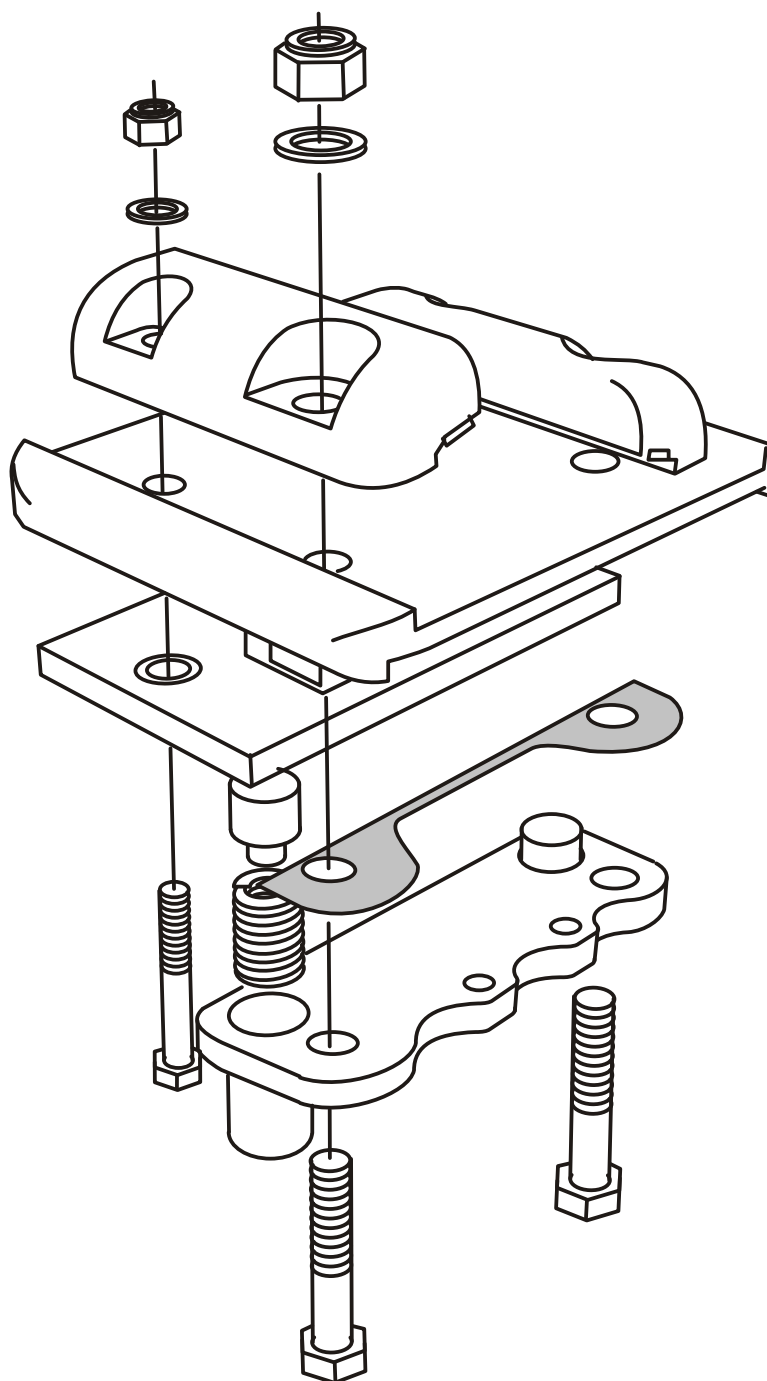


Friktionsfäste / Friction attachment / Friktionsbefestigung

# A-serie

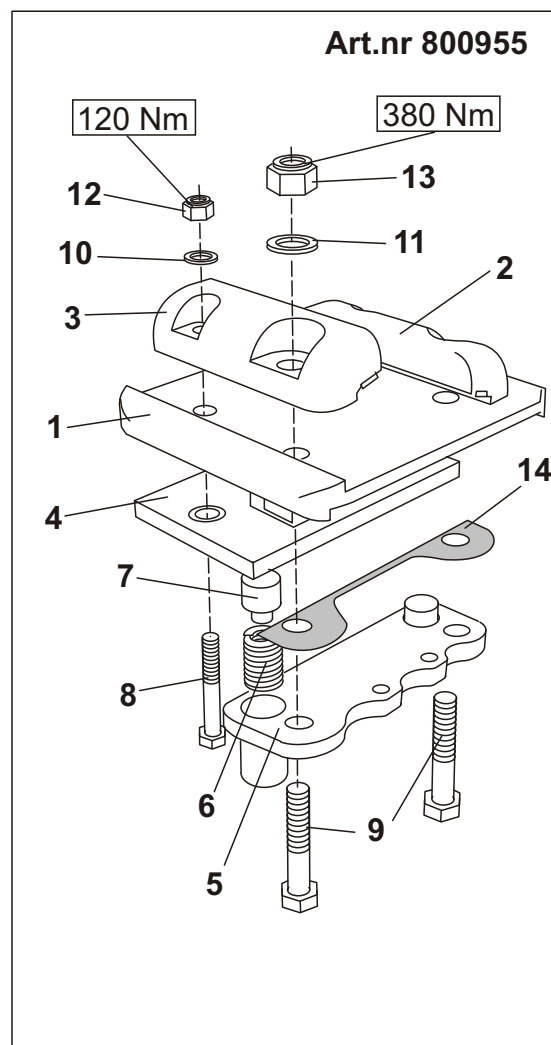
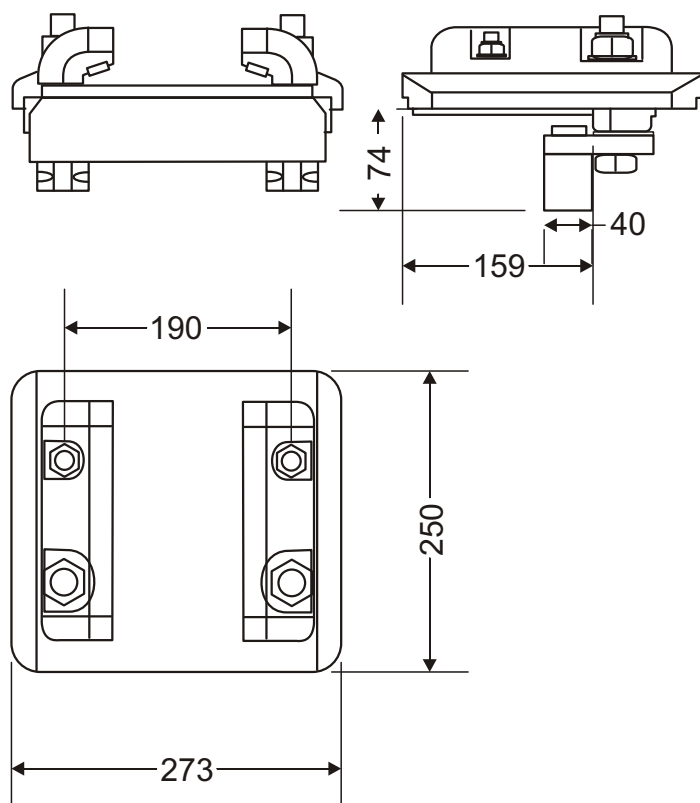
Art.nr 800955



**ExTe**

Securing cargo. We invented the concept.

# Mått / Dimension / Einbaumasse



**Vikt / Weight / Gewicht: 8.8 kg**

| Pos | Art.nr | Benämning              | Description     | Bezeichnung         | kg   |
|-----|--------|------------------------|-----------------|---------------------|------|
| 1   | 800953 | Montageplatta          | Mounting plate  | Grunplatte          | 2.87 |
| 2   | 810331 | Låsklack höger kmpl.   | Lock fittings   | Verriegelungsansatz | 0.97 |
| 3   | 810332 | Låsklack vänster kmpl. | Lock fittings   | Verriegelungsansatz | 0.97 |
| 4   | 810330 | Glidplatta             | Sliding pad     | Gleitplatte         | 0.47 |
| 5   | 800602 | Underbygel             | Fastening plate | Klemmbügel          | 2.5  |
| 6   | 800604 | Fjäder                 | Spring          | Spiralfeder         |      |
| 7   | 800603 | Plastplunch            | Plastplunge     | Ausgleichpilz       |      |
| 8   | 211617 | Skruv 12x50            | Screw 12x50     | Schraube 12x50      |      |
| 9   | 211163 | Skruv 20x110           | Screw 20x110    | Schraube 20x110     |      |
| 10  | 211907 | Bricka                 | Washer          | Scheibe             |      |
| 11  | 211902 | Bricka                 | Washer          | Scheibe             |      |
| 12  | 211857 | Mutter Locking M12     | Nut locking M12 | Mutter locking M12  |      |
| 13  | 211861 | Mutter Locking M20     | Nut locking M20 | Mutter locking M20  |      |
| 14  | 800616 | Shims                  | Shim            | Distanzhalter       |      |

# ExTe