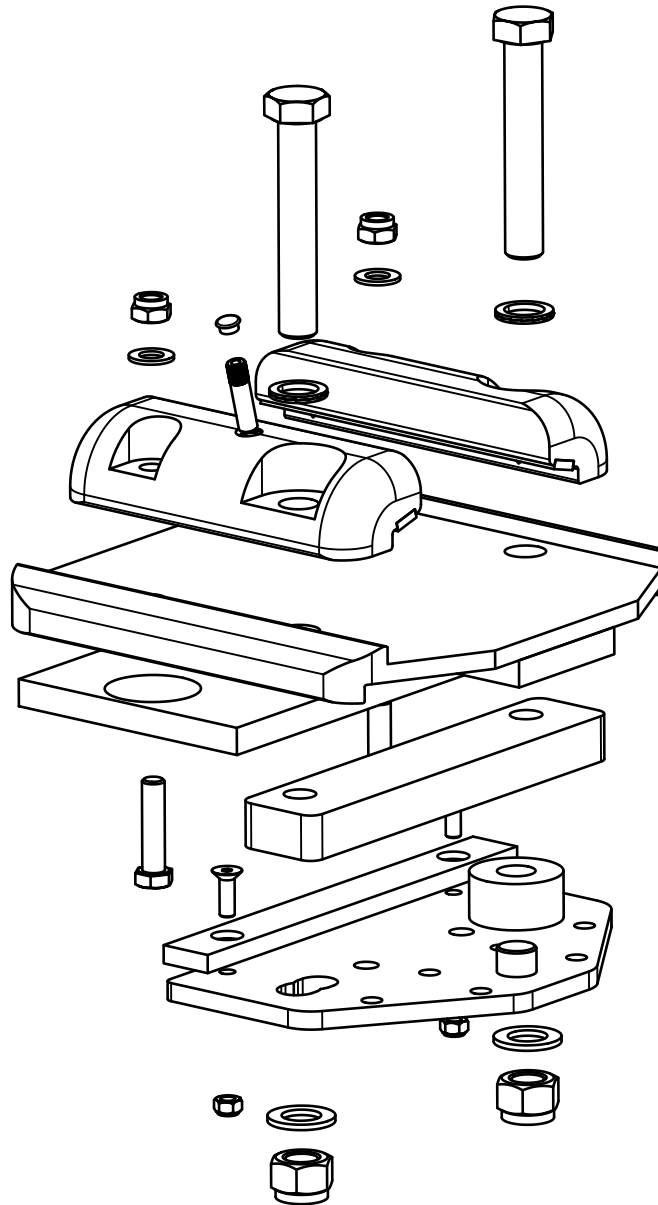


A-Series

Friktionsfäste justerbart / Friction attachment adjustable

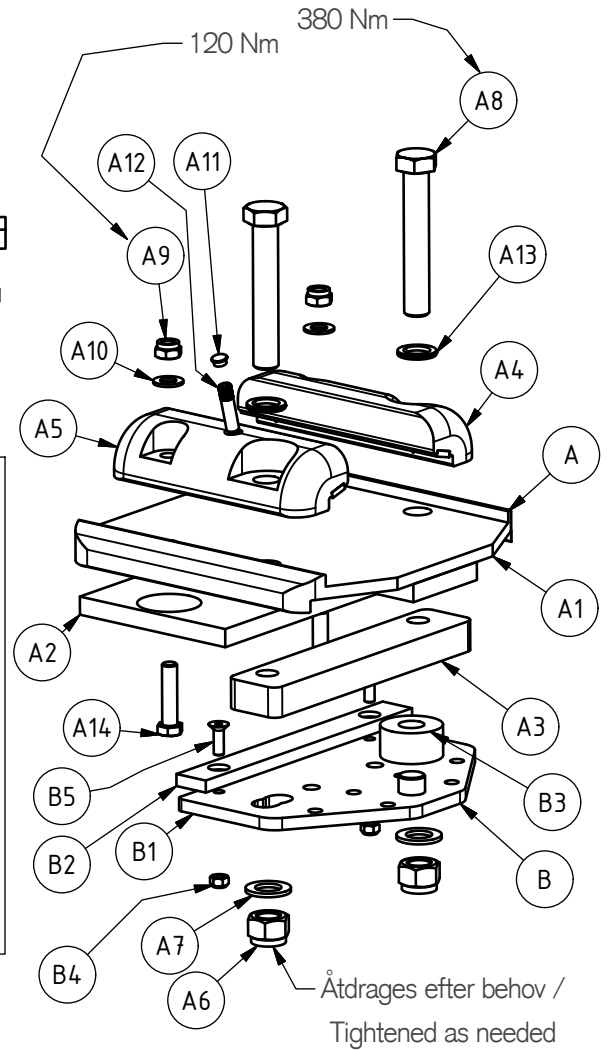
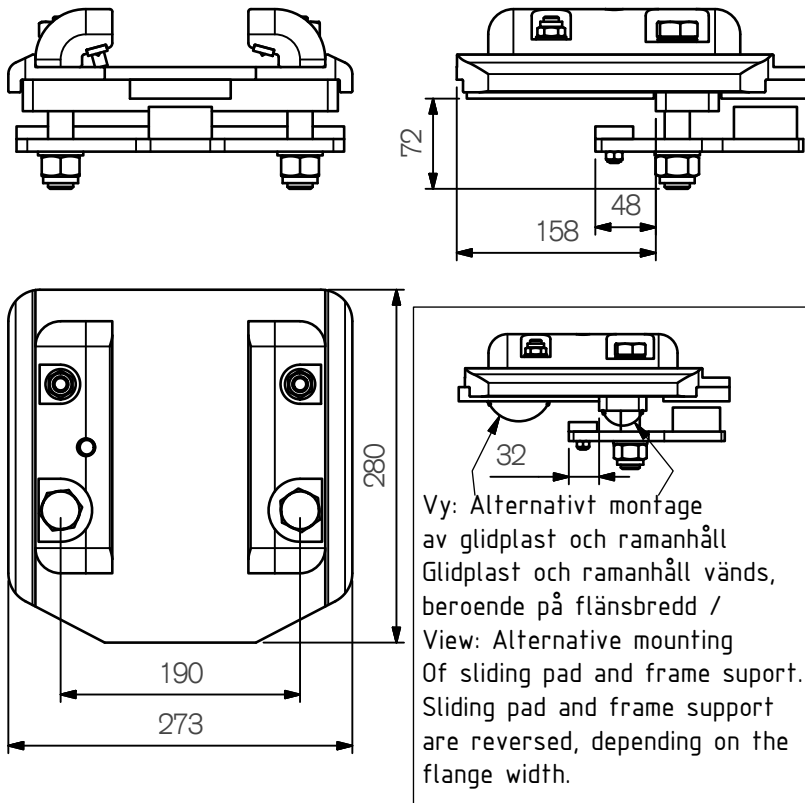
Art.nr 800984



800984.C

ExTe

Securing cargo. We invented the concept.



Vikt / Weight: 11 kg

Pos.	QTY	Art.nr	Benämning	Description
A	1	800941	MONTERINGSPLATTA KOMPLETT	MOUNTING PLATE COMPLETE
A1	1	490249	MONTERINGSPLATTA	MOUNTING PLATTA
A2	1	810330	GLIDPLATTA	SLIDING PAD
A3	1	800939	RAMANHÅLL	FRAME SUPPORT
A4	1	810331	LÅSKLACK HÖGER	LOCK FITTINGS RIGHT
A5	1	810332	LÅSKLACK VÄNSTER	LOCK FITTINGS LEFT
A6	2	211861	LÅSMUTTER M20	LOCKING NUT M20
A7	2	211902	BRICKA M20	WASHER M20
A8	2	211178	SKRUV M20x120 HELGÅNGAD	SCREW M20x120 FULLY THREAD
A9	2	211857	LÅSMUTTER M12	LOCKING NUT M12
A10	2	211907	BRICKA M12	WASHER M12
A11	1	800949	TÄCKPROPP	COVER CAP
A12	1	800948	STIFT	LOCKING PIN
A13	2	211938	BRICKA NORDLOCK M20	WASHER NORDLOCK M20
A14	2	211617	SKRUV M12x50	SCREW M12x50
B	1	800981	UNDERBYGEL KOMPLETT	FASTENING PLATE COMPLETE
B1	1	800983	UNDERBYGEL	FASTENING PLATE
B2	1	800982	FRIKTIONSLIST	FRICTION LIST
B3	1	800656	GUMMIPUCK	RUBBER
B4	2	211855	LÅSMUTTER M8	LOCKING NUT M8
B5	2	211215	SKRUV M8x25	SCREW M8x25

ExTe

Securing cargo. We invented the concept.