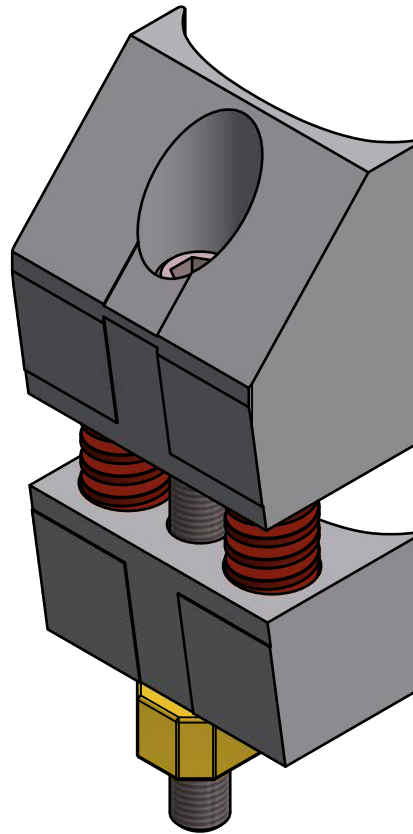


Reparationskil / Replacement Wedge A-/E-Serien

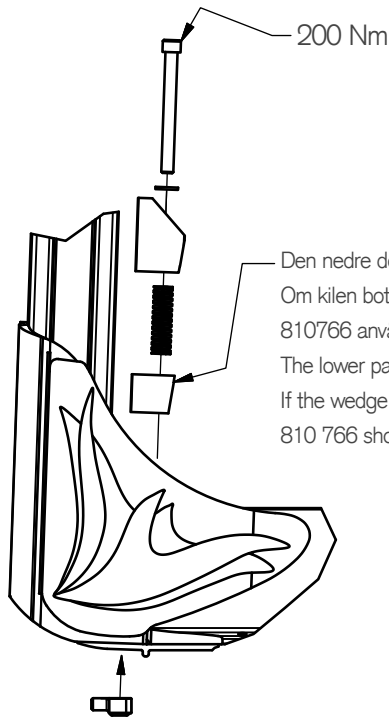
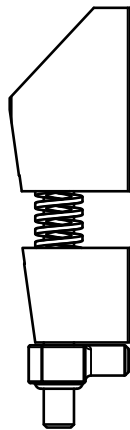
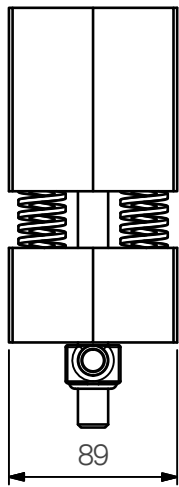
Art.nr 810956



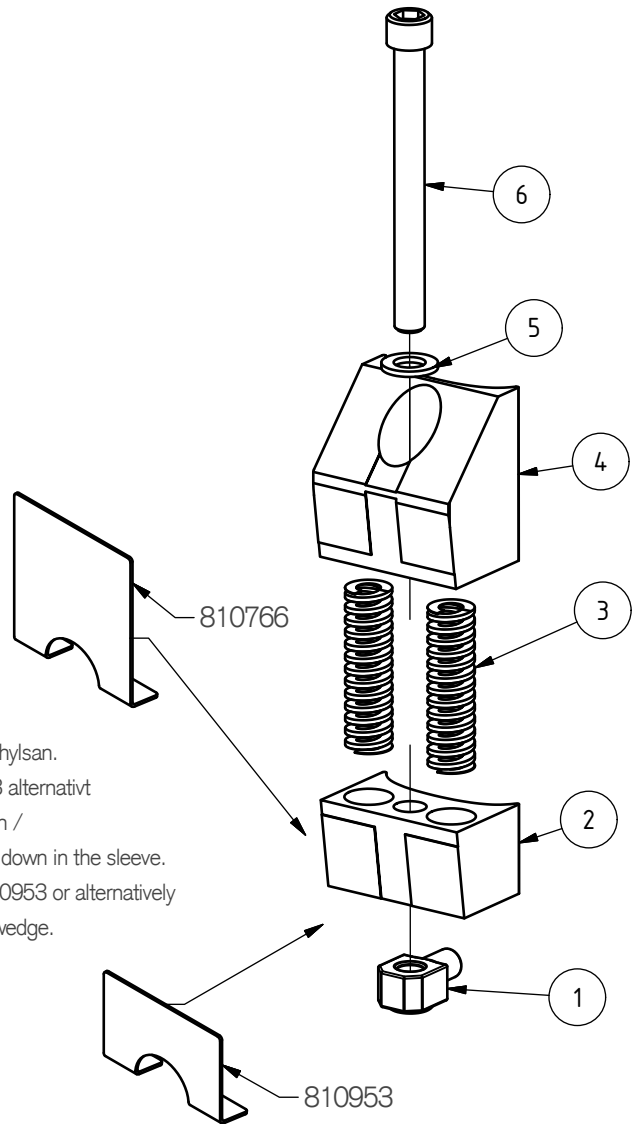
810956 B

ExTe

Securing cargo. We invented the concept.



Den nedre delen av kilen knackas ned i hylsan.
 Om kilen bottnar, ska shimsplåt 810953 alternativt
 810766 användas tillsammans med kilen /
 The lower part of the wedge is knocked down in the sleeve.
 If the wedge bottoms, the shim plate 810953 or alternatively
 810 766 should then be used with the wedge.



POS.	QTY	PART NO	BESKRIVNING	DESCRIPTION
1	1	810197	STOPPTAPP	STOP LUG
2	1	810952	REPARATIONSKIL UNDER DEL	REPAIR WEDGE LOWER PART
3	2	810957	TRYCKFJÄDER	PRESSURE SPRING
4	1	810951	REPARATIONSKIL ÖVRE DEL	REPAIR WEDGE UPPER PART
5	1	211910	BRICKA BRB 17x30x3 FZB	WASHER BRB 17x30x3 FZB
6	1	211626	SKRUV MC6S M16x160 FZB	SCREW MC6S M16x160 FZB

ExTe

Securing cargo. We invented the concept.