

A-Series

A10 Euro Lh 2.00-3.00

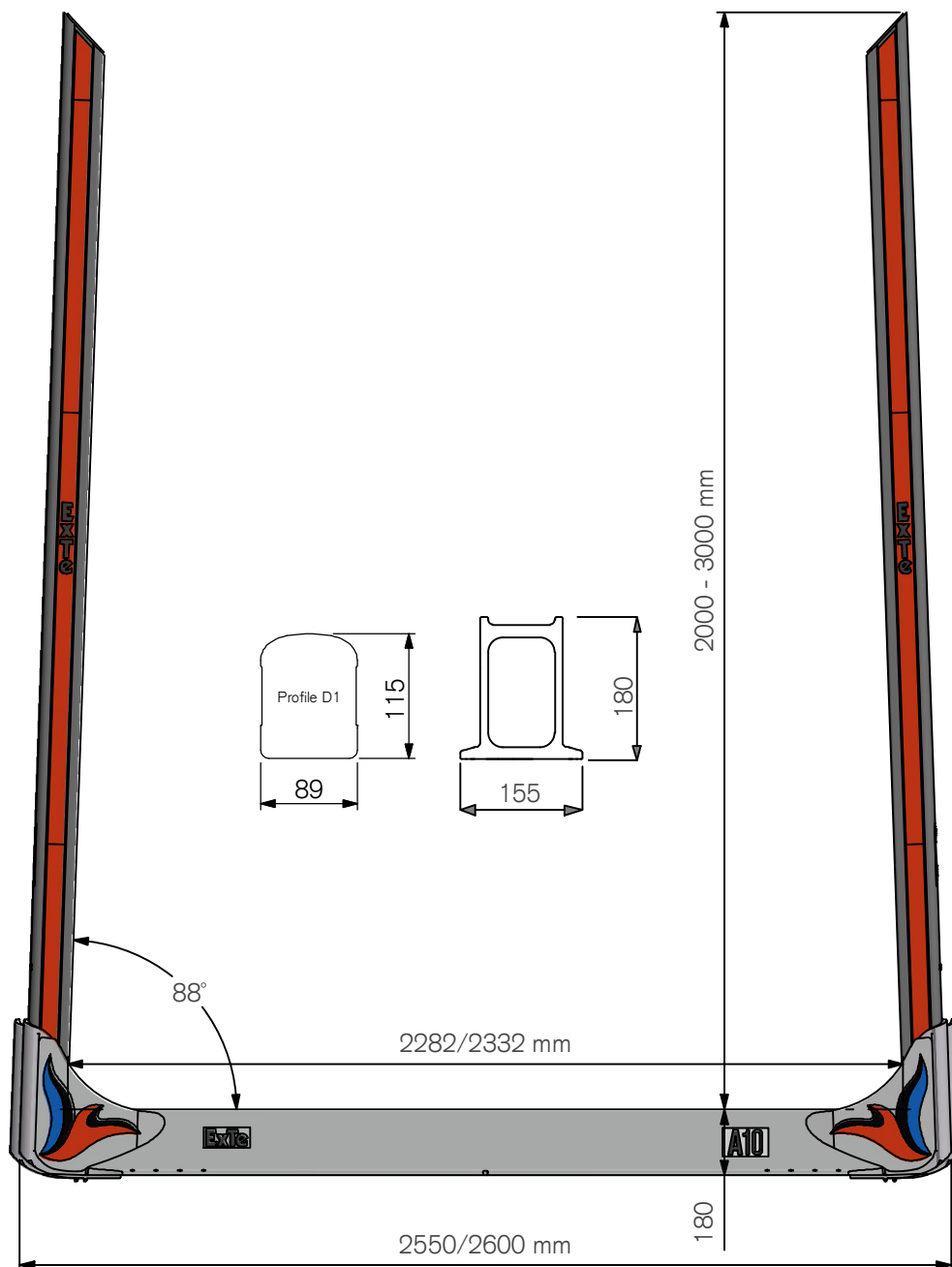
Doc.no AD00035

Teknisk Data / Technical Details / Technische Daten

Max. Lastkapacitet per banke: 10 ton

Max. Load Capacity per bunk: 10ton

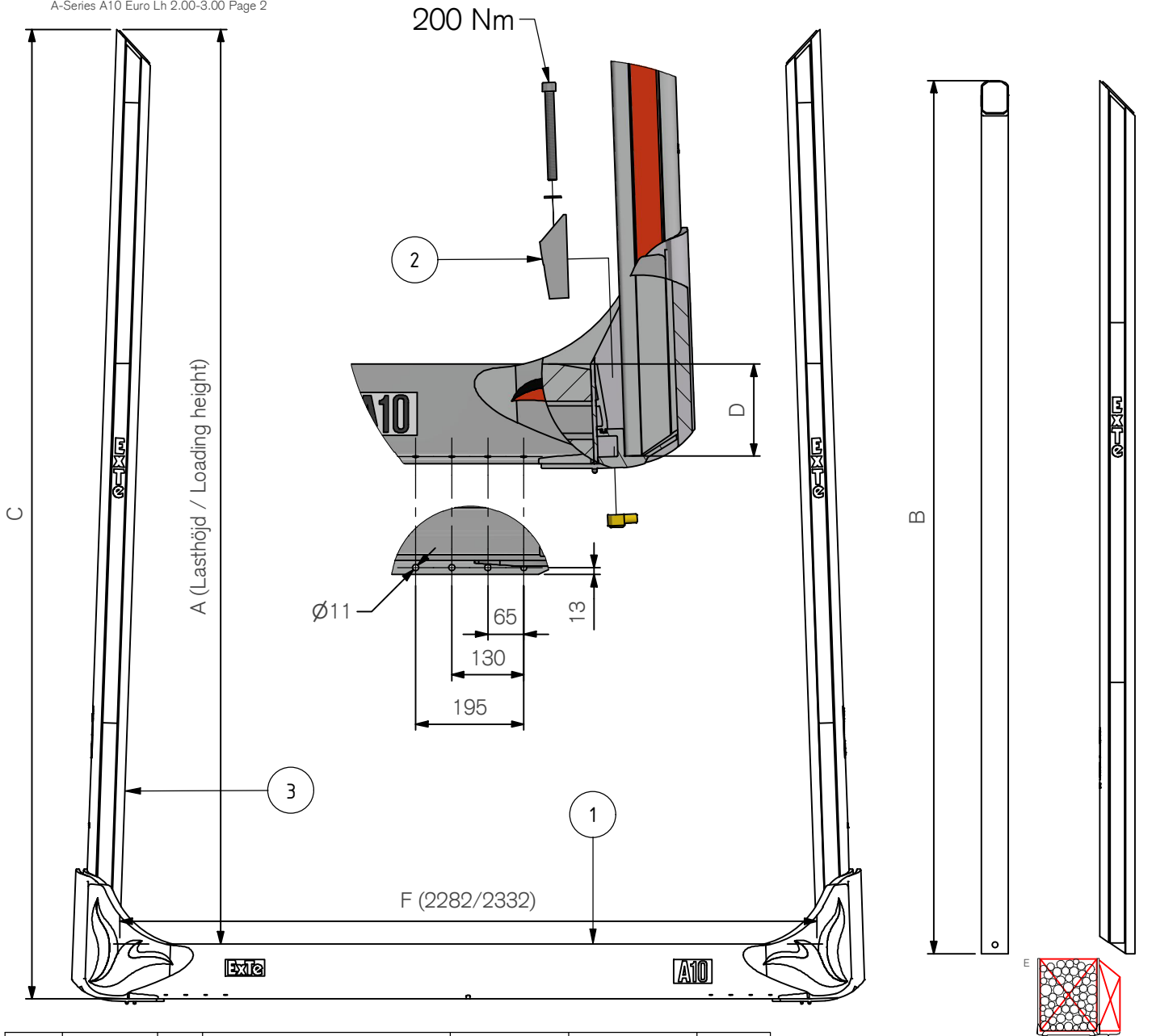
Max. Beladepkapazität pro Schemel beträgt: 10tonnen



AD00035 D

ExTe

Securing cargo. We invented the concept.



Pos.	Part.no	Pcs	Benämning	Description	Bezeichnung	Weight*
1	810380	1	Stomme A10 2,55	Bolster	Schemelkörper	57,2 kg
1	810375	1	Stomme A10 2,60	Bolster	Schemelkörper	58,1 kg
2	810196	2	Låselement D-Profil	Wedge kit	Keil	1,5 kg
3	802756	1	Stake D1 T10 2160 Euro 45	Stake	Runge	25,1 kg
3	802757	1	Stake D1 T10 2210 Euro 45	Stake	Runge	25,6 kg
3	802713	2	Stake D1 T10 2260 Euro 45	Stake	Runge	26,1 kg
3	802714	2	Stake D1 T10 2310 Euro 45	Stake	Runge	26,6 kg
3	802715	2	Stake D1 T10 2360 Euro 45	Stake	Runge	27,1 kg
3	802716	2	Stake D1 T10 2410 Euro 45	Stake	Runge	27,5 kg
3	802717	2	Stake D1 T10 2460 Euro 45	Stake	Runge	28,0 kg
3	802718	2	Stake D1 T10 2510 Euro 45	Stake	Runge	28,5 kg
3	802719	2	Stake D1 T10 2560 Euro 45	Stake	Runge	29,0 kg
3	802720	2	Stake D1 T10 2610 Euro 45	Stake	Runge	29,5 kg
3	802721	2	Stake D1 T10 2660 Euro 45	Stake	Runge	30,0 kg
3	802722	2	Stake D1 T10 2710 Euro 45	Stake	Runge	30,5 kg
3	802723	2	Stake D1 T10 2760 Euro 45	Stake	Runge	31,0 kg
3	802724	2	Stake D1 T10 2810 Euro 45	Stake	Runge	31,4 kg
3	802725	2	Stake D1 T10 2860 Euro 45	Stake	Runge	31,9 kg
3	802726	2	Stake D1 T10 2910 Euro 45	Stake	Runge	32,4 kg
3	802727	2	Stake D1 T10 2960 Euro 45	Stake	Runge	32,9 kg
3	802728	2	Stake D1 T10 3010 Euro 45	Stake	Runge	33,4 kg
3	802729	2	Stake D1 T10 3060 Euro 45	Stake	Runge	33,9 kg
3	802730	2	Stake D1 T10 3110 Euro 45	Stake	Runge	34,4 kg
3	802731	2	Stake D1 T10 3160 Euro 45	Stake	Runge	34,8 kg

A mm	B mm	C mm	D mm	E1 m3	E2 m3
Loading height	Length	Total Height	Depth	F 2282	F 2332
2000	2160	2180	160	4.56	4.66
2050	2210	2230	160	4.68	4.78
2100	2260	2280	160	4.79	4.9
2150	2310	2330	160	4.91	5.01
2200	2360	2380	160	5.02	5.13
2250	2410	2430	160	5.13	5.25
2300	2460	2480	160	5.25	5.36
2350	2510	2530	160	5.36	5.48
2400	2560	2580	160	5.48	5.6
2450	2610	2630	160	5.59	5.71
2500	2660	2680	160	5.71	5.83
2550	2710	2730	160	5.82	5.95
2600	2760	2780	160	5.93	6.06
2650	2810	2830	160	6.05	6.18
2700	2860	2880	160	6.16	6.3
2750	2910	2930	160	6.28	6.41
2800	2960	2980	160	6.39	6.53
2850	3010	3030	160	6.5	6.65
2900	3060	3080	160	6.62	6.76
2950	3110	3130	160	6.73	6.88
3000	3160	3180	160	6.85	7

ExTe förbehåller sig rätten att göra ändringar i specifikationer och annan information i detta dokument utan förhandsinformation.

ExTe reserves the right to make changes in specifications and other information contained in this document without prior notice.

ExTe behåller sig das Recht vor, Änderungen an Spezifikationen und anderen Informationen in diesem Dokument ohne vorherige Ankündigung vorzunehmen.

ExTe

Securing cargo. We invented the concept.

* Teoretiska
* Theoretical
* Theoretisch