

A-Series

A10 Conical Lh 2.30-2.45

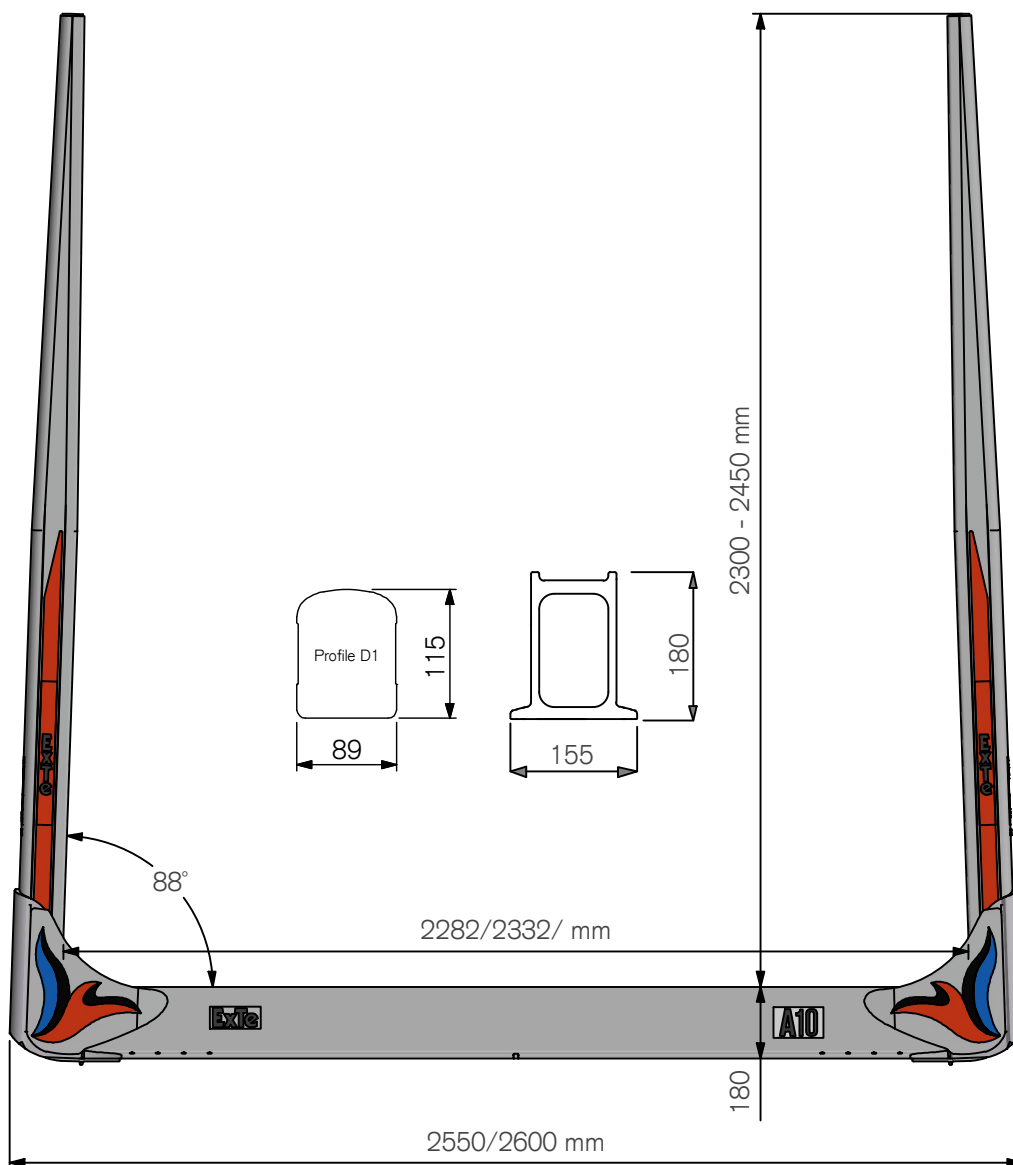
Doc.no AD00318

Teknisk Data / Technical Details / Technische Daten

Max. Lastkapacitet per banke: 10 ton

Max. Load Capacity per bunk: 10ton

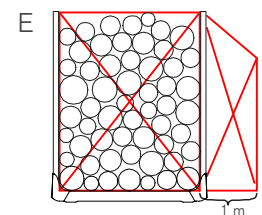
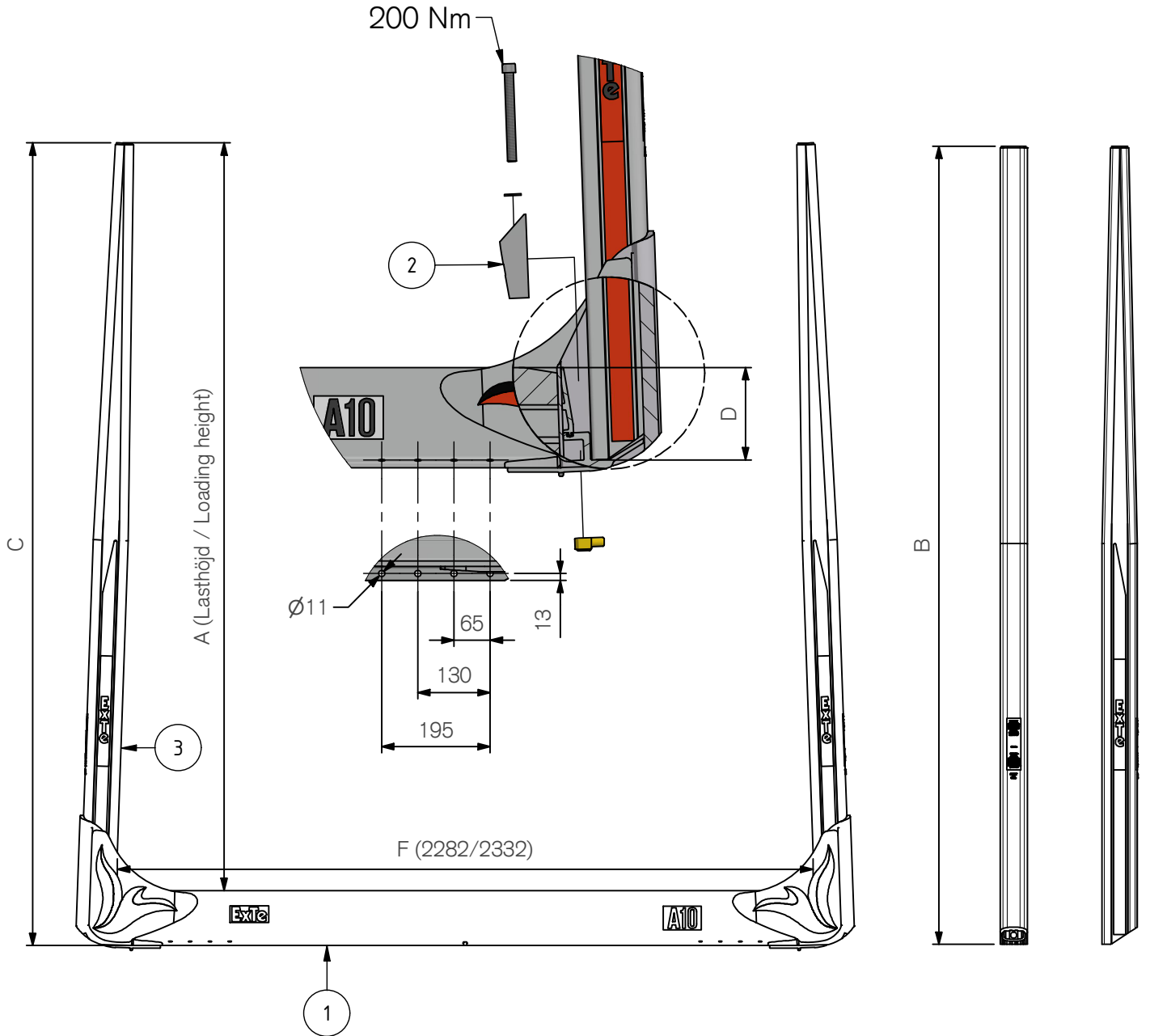
Max. Beladepazität pro Schemel beträgt: 10tonnen



AD00318 A

ExTe

Securing cargo. We invented the concept.



| Pos. | Part.no | Pcs | Benämning | Description | Bezeichnung | Weight* | A mm | B mm | C mm | D mm | E1 m3 | E2 m3 |
|------|---------|-----|---------------------------|-------------|---------------|---------|----------------|--------|--------------|-------|--------|--------|
| 1 | 810375 | 1 | Stomme A10 2,60 | Bolster | Schemelkörper | 58,1 kg | Loading height | Length | Total Height | Depth | F 2282 | F 2332 |
| 1 | 810380 | 1 | Stomme A10 2,55 | Bolster | Schemelkörper | 57,2 kg | | | | | | |
| 2 | 810196 | 2 | Låselement D-Profil | Wedge kit | Keil | 1,5 kg | 2300 | 2460 | 2480 | 160 | 5.25 | 5.36 |
| 3 | 802814 | 2 | Stake D1 T10 2460 Conical | Stake | Runge | 25,0 kg | 2350 | 2510 | 2530 | 160 | 5.36 | 5.48 |
| 3 | 802815 | 2 | Stake D1 T10 2510 Conical | Stake | Runge | 25,5 kg | 2400 | 2560 | 2580 | 160 | 5.48 | 5.6 |
| 3 | 802816 | 2 | Stake D1 T10 2560 Conical | Stake | Runge | 26,0 kg | 2450 | 2610 | 2630 | 160 | 5.59 | 5.71 |
| 3 | 802817 | 2 | Stake D1 T10 2610 Conical | Stake | Runge | 26,9 kg | | | | | | |

ExTe förbehåller sig rätten att göra ändringar i specifikationer och annan information i detta dokument utan förhandsinformation.

ExTe reserves the right to make changes in specifications and other information contained in this document without prior notice.

ExTe behåller sig das Recht vor, Änderungen an Spezifikationen und anderen Informationen in diesem Dokument ohne vorherige Ankündigung vorzunehmen.



Securing cargo. We invented the concept.

* Teoretiska
* Theoretical
* Theoretisch