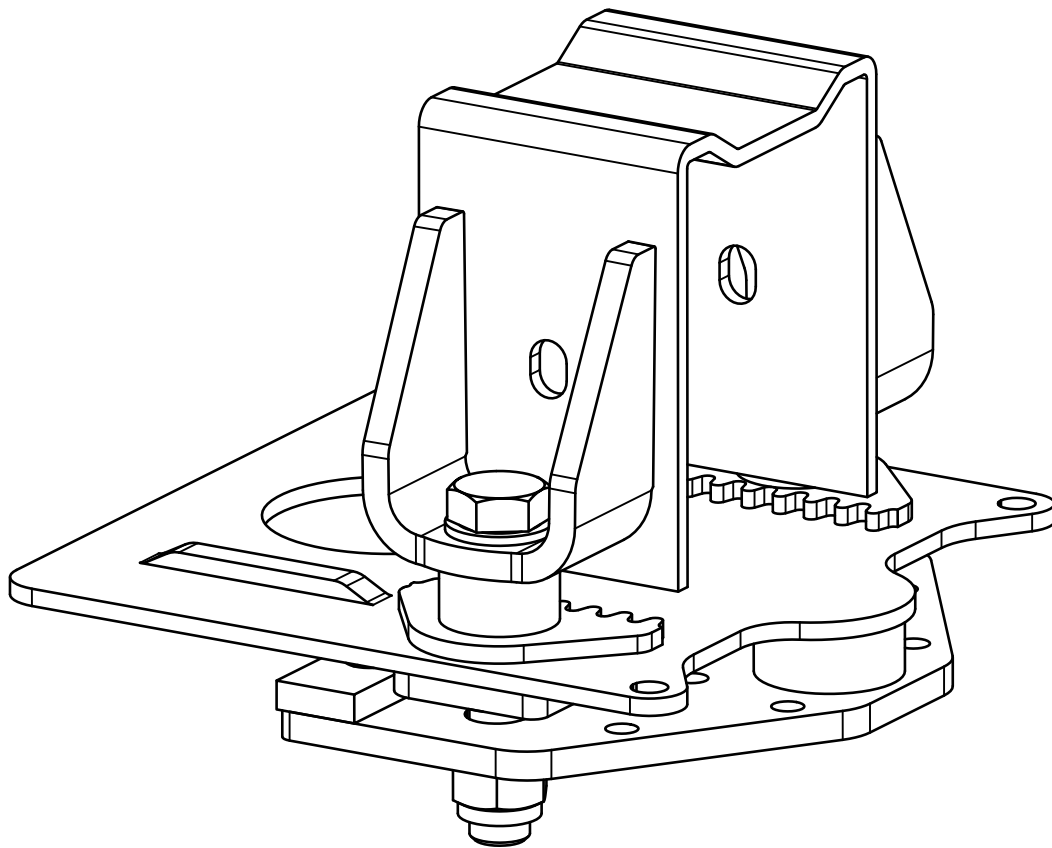


S Series

Movable Clamping Attachment

Art.nr 803194



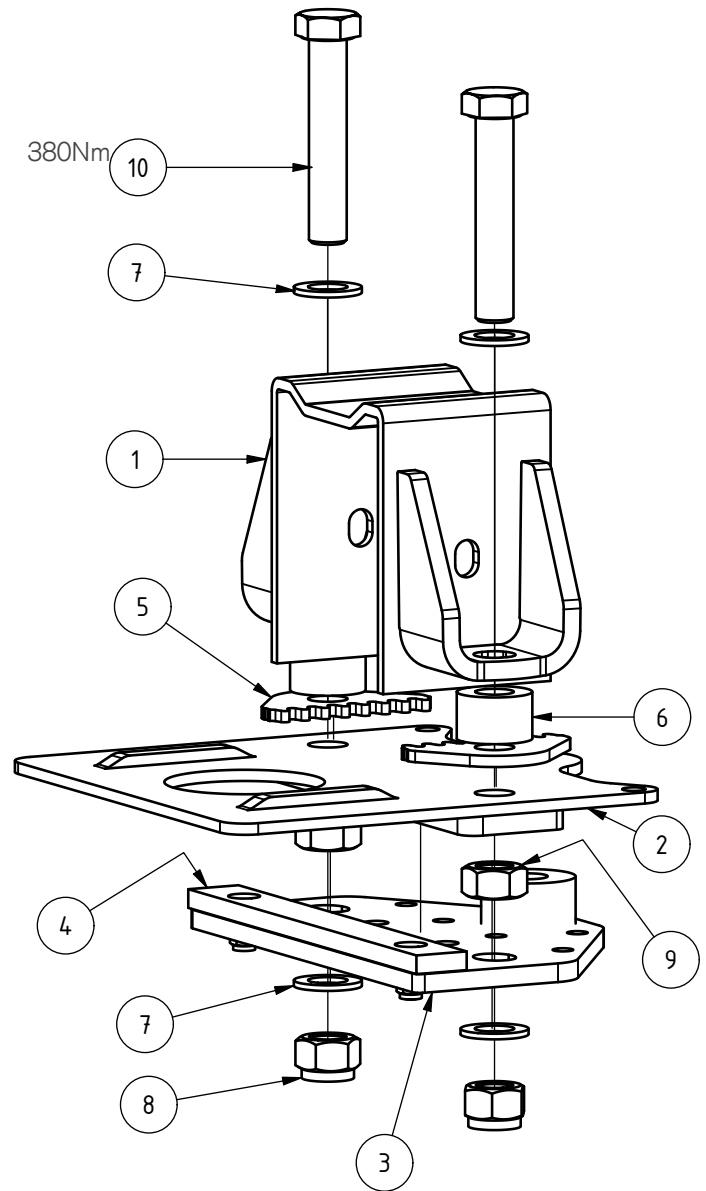
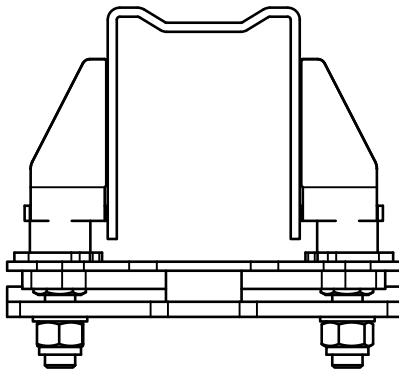
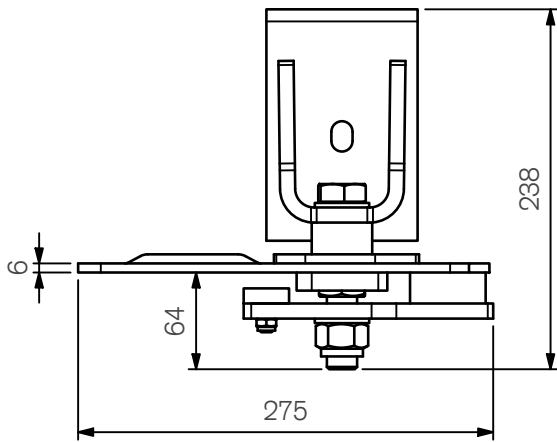
803194 B

ExTe

Securing cargo. We invented the concept.

Movable Clamping Attachment

Page 2



Vikt/ Weight: 11,4kg

POS.	QTY	PART NO.	BESKRIVNING	DESCRIPTION
1	1	800765	Överbygel 190 115 147	Upper Clamp
2	1	803162	Monteringsplatta	Mounting Plate
3	1	800981	Underbygel friktionsfäste justerbar	Lower Clamp
4	1	800877	Friktionslist Sats	Friction Plastic Kit
5	2	803163	Låsbleck	Lock Plate
6	2	803138	Gummipuck Ø40	Rubber Puck
7	4	211902	BRICKA M20 FZB	Washer
8	2	211861	Låsmutter M20 FZB	Locking Nut
9	2	211836	Mutter M20 FZB 8.8	Nut
10	2	211177	SKRUV M20x110 FZB	Screw

ExTe

Securing cargo. We invented the concept.

ExTe Fabriks AB, SE-820 41 Färila Sweden. Tel: +46 (0)651 175 00. Fax: +46 (0)651 175 03. E-mail: info@exte.se www.exte.se