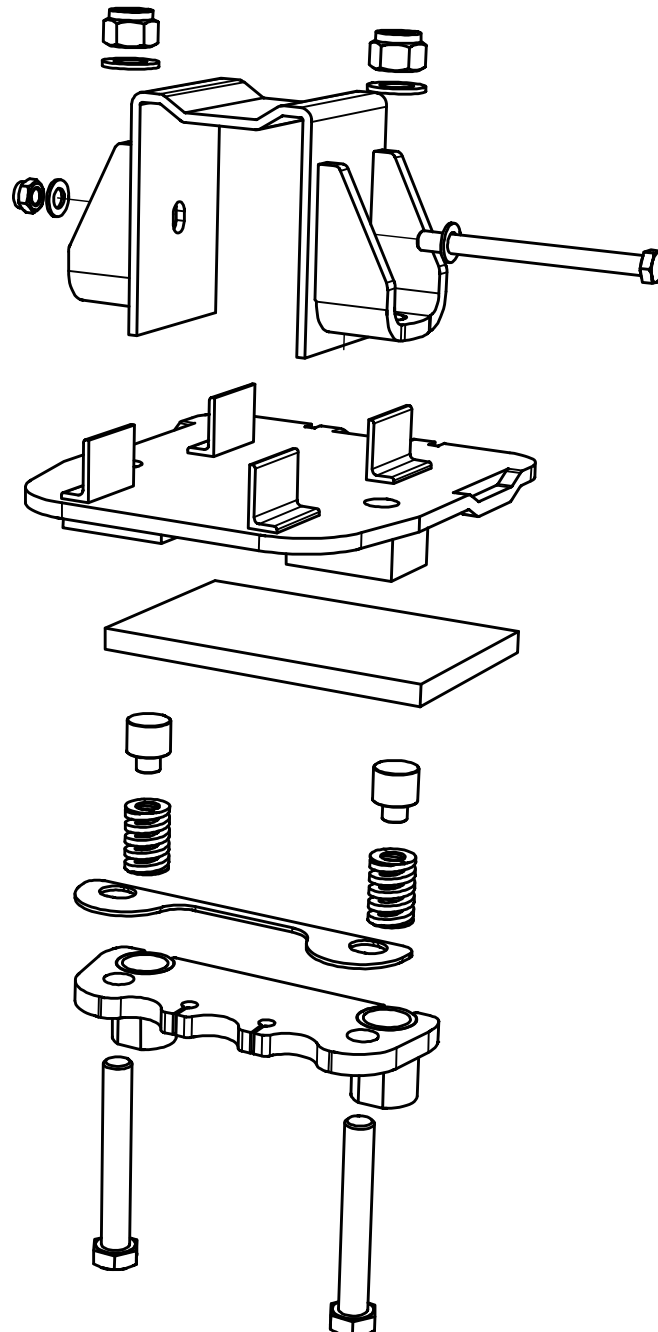


# 144 / E 4, E 6, E 9

Friktionsfäste / Friction attachment Friktionsbefestigung

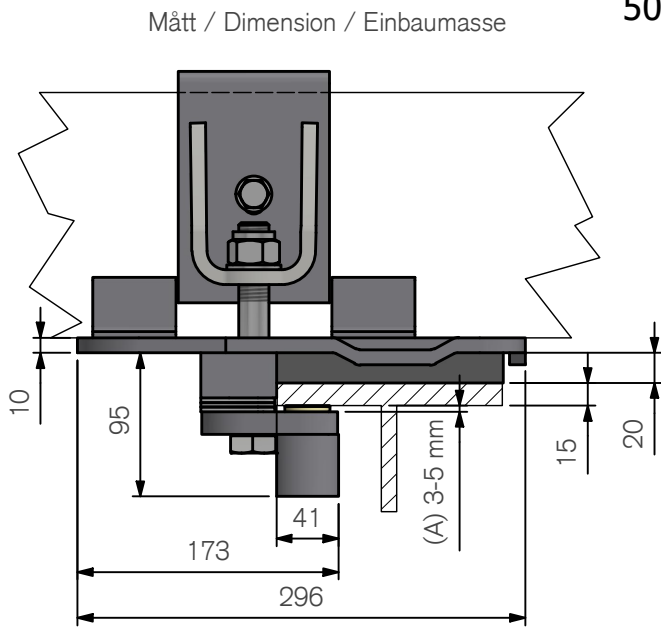
Art.nr 800780



800780 D

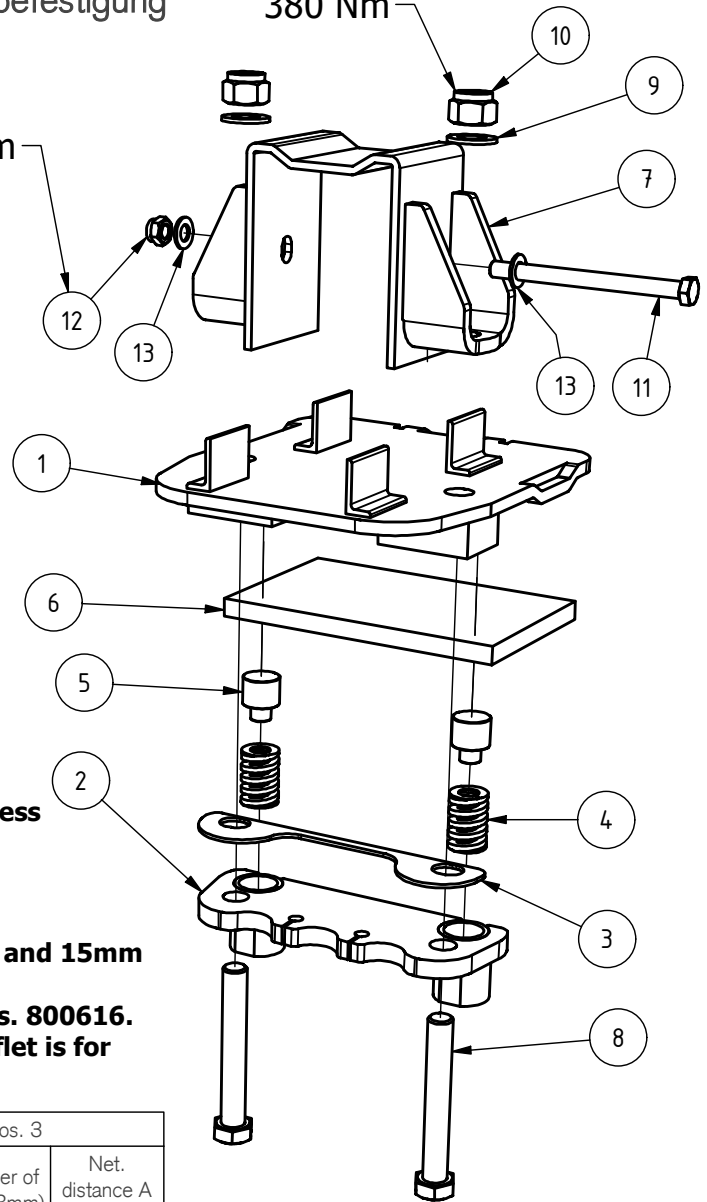
# ExTe

Securing cargo. We invented the concept.



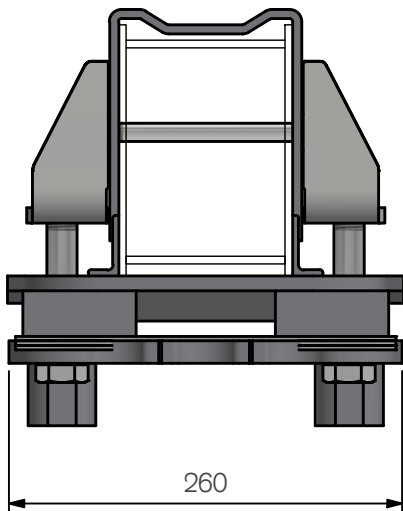
50 Nm

380 Nm



**Note! Theoretical values, depending on the color thickness and flatness of the frame flange, an extra shim may be needed. The measurement (A) must always be 3-5mm when mounting the attachment.**

**For 20mm sliding plate and 15mm flange.  
Use 3 pcs of shim plates. 800616.  
The measure in the leaflet is for that combination.**



Number of Shim. Pos. 3			
Sliding Pad (mm)	Frame thickness (mm)	Number of shim (3mm)	Net. distance A (mm)
20	15	3	4
20	12	2	4
20	10	1	3
20	8	1	5
15	15	1	3
15	12	0	3
15	10	0	5

Vikt / Weight / Gewicht: 16.35 kg

Pos.	Art.nr	Beskrivning	Description	Bezeichnung	Vikt
1	800771	Monteringsplatta	Mounting plate	Grundplatte	7,75 kg
2	800602	Underplatta	Fastening plate	Führungsplatte	2,65 kg
3	800616	Shims	Shim	Distanzhalter	0,14 kg
4	800604	Fjäder	Spring	Spiralfeder	0,09 kg
5	800603	Plastplunch	Plastplunge	Ausgleichspilz	0,02 kg
6	800647	Glidplatta 15 mm	Sliding pad 15 mm	Gleitplatte 15 mm	0,51 kg
--	800646	Glidplatta 20 mm	Sliding pad 20 mm	Gleitplatte 20 mm	0,68 kg
7	800765	Överbygel	Upper part	Bügel oben	3,56 kg
8	211171	Skruv M6S 20 X 140 FZB	Screw M6S 20 X 140 FZB	Schraube M20 x 140	0,42 kg
9	211902	Bricka BRB 21 X 36 X 3 FZB	Washer BRB 21 X 36 X 3 FZB	Schiebe M20	0,02 kg
10	211861	Mutter LM6M M20 FZB	Locking Nut LM6M M20 FZB	Stop Mutter M20	0,08 kg
11	211096	Skruv M6s 12 x 150	Screw	Schraube	0,15 kg
12	211857	Mutter LM6M M12 FZB	Locking Nut LM6M M12 FZB	Stop Mutter M12	0,02 kg
13	211907	Bricka BRB M12 FZB	Washer	Scheibe	0,01 kg

**ExTe**

Securing cargo. We invented the concept.