

# TU

# TENSIONERS

AUTOMATIC TENSIONERS FOR ALL HEAVY TRANSPORT

# REMOTE

# ExTe

Securing cargo. We invented the concept.

# INNOVATION AND DESIGN OFFER NEW OPPORTUNITIES



# WITH MAXIMUM SECURITY AND CONTROL

## **TU Remote gives you maximum security**

The driver does not need to walk around the carriage and release the tension when unloading. Instead, this can be done from the cab or from a safe distance. All by simply pressing a button on the remote control. The reeling in of the loop starts automatically. With proper distance from the stacks, the risk is almost non-existent that the driver will be struck by any piece of wood that the loop might pull along with it off the stack.

## **TU Remote spares your body**

Remote control automatically reduces the stresses on the body and the risk of strain and wear-and-tear injuries that come with increasing age. This might not be something you think about when you're young, but such injuries are inevitable without proper prevention.



## **TU Remote benefits your work environment**

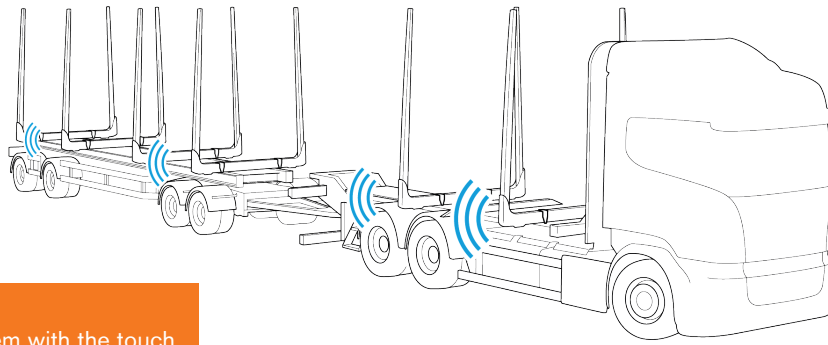
On a warm and beautiful summer's day, it probably just feels nice to hop out of the cab and go for a lap around the carriage when you're all loaded up and it's time to tighten the straps, or when unloading the timber. But on a winter's day with bitterly cold temperatures, how does it feel to trek through knee-high, freshly fallen snow or slip around on the icy pavement? With a remote control, you don't need to spend any more time than necessary outside of the cab, but you should always ensure that your load is safe for transport.

When loading, you can go directly up into the crane cab. Once you have finished loading, you must of course put the loop in the release levers before the tensioner is put into operating mode and started up.

## **TU Remote reduces time pressures**

Although the time saved should not be exaggerated, the various steps of loading and unloading go faster with TU Remote. Studies indicate that it saves the average driver 65-70 hours per year. In the best case, the time saved can reduce the stress of the job.

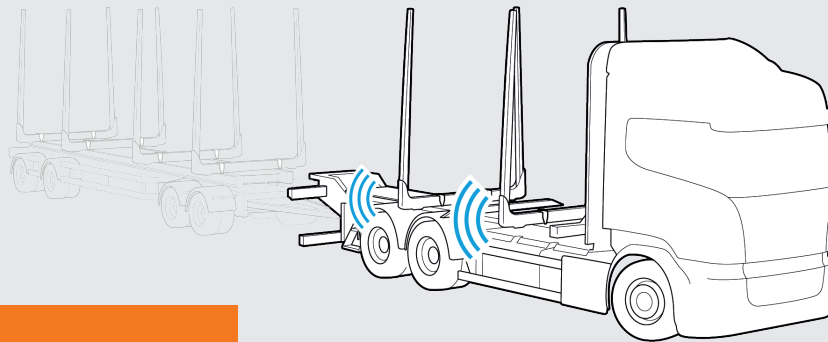
1



You activate the system with the touch of a button on the remote control.



2

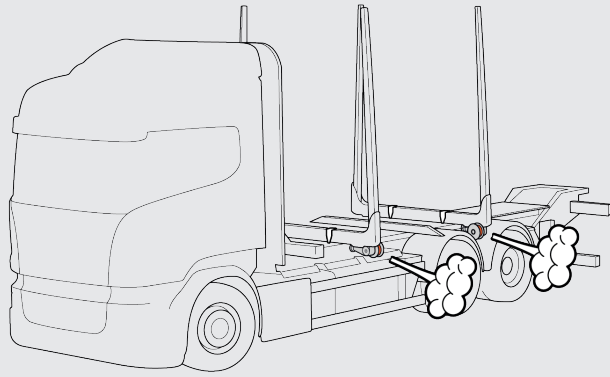


You can choose on the remote control if you want to start communicating with the trailer or car.

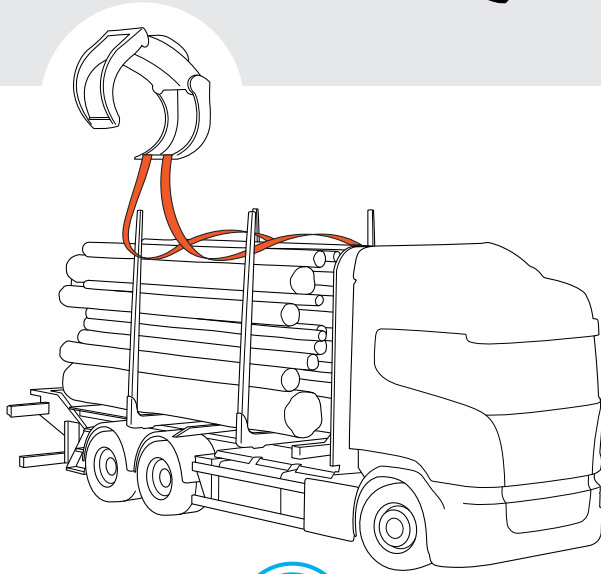




# 3

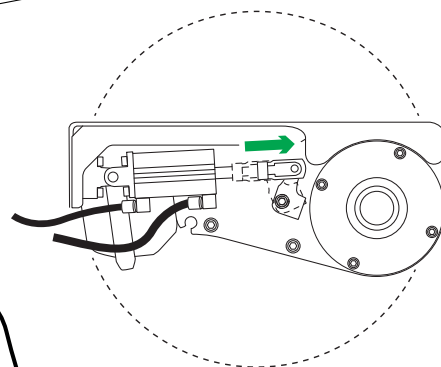


In normal mode, TU provides tension whether you are driving with or without cargo. The reason why TU provides tension even when you are driving without cargo is to ensure that the strap remains tightly spooled up in the drum. This image shows how at the touch of a button you release the air and the tensioner stops tightening.

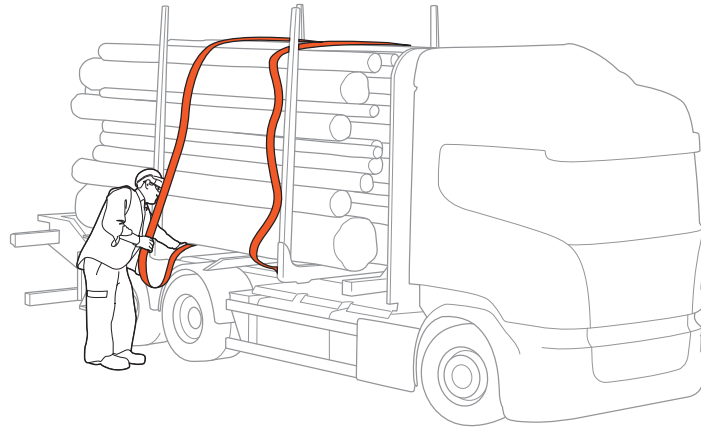


# 4

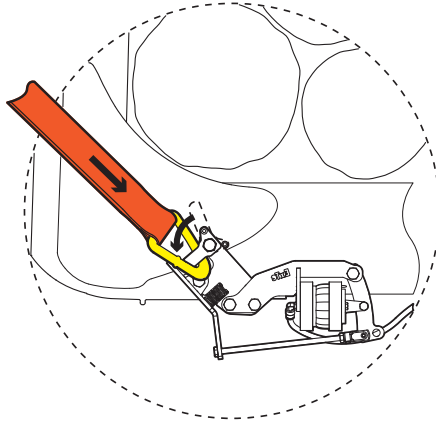
With the operating mode disconnected, you disengage TU, and the straps are lifted over the trot to be re-tensioned. The detail image shows how the tensioner is set in the free position.



# 5

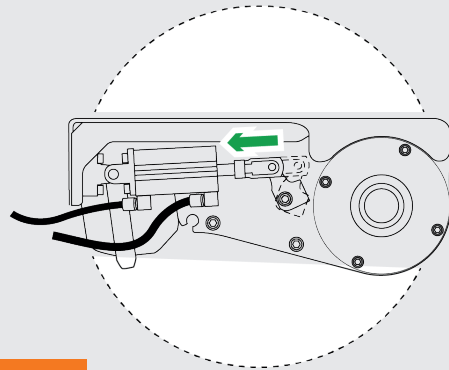


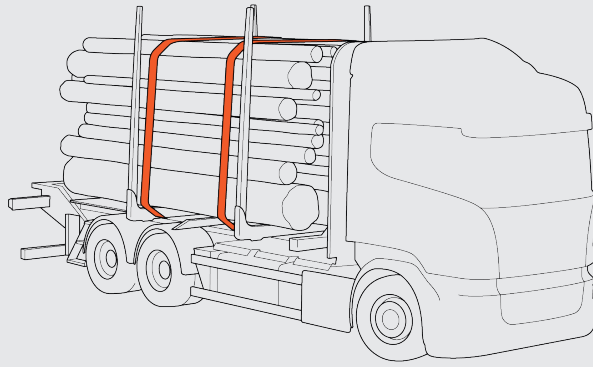
You walk around the carriage and connect the loop in the release levers.



# 6

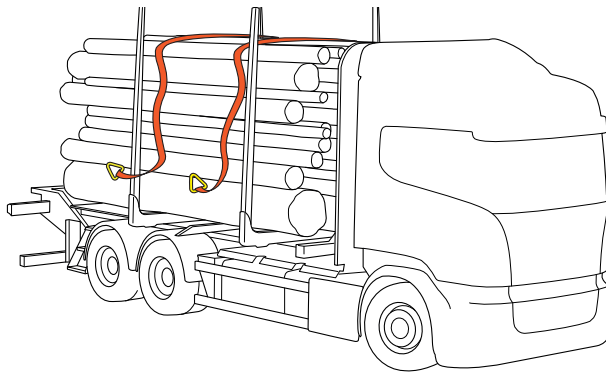
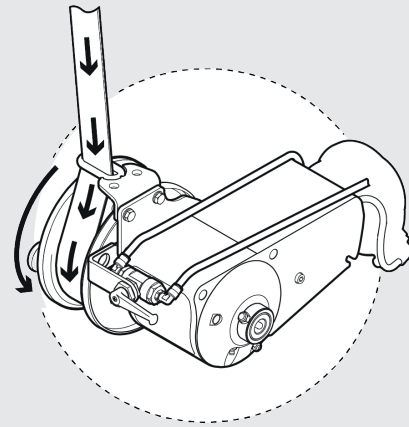
You simply put the tensioner in operating mode.





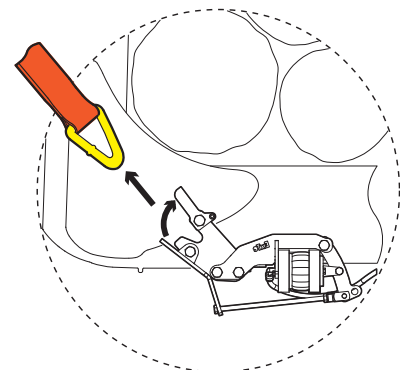
# 7

When you are ready for departure, press "Start". The tensioners feed in any slack to then tighten to firmly strap the load down. During the journey to the unloading location, the tensioners work actively, re-tightening the straps on the load as needed.



# 8

At the unloading location, you activate the release levers, which simultaneously depressurises the tensioners for a few seconds. This is to avoid loosening the straps at full force. The operating pressure of the tensioner is automatically reset and the loop is rolled back up into the drum. Ready for unloading.



# INTERESTED IN TU REMOTE?

If you wish to know more about TU Remote, you are welcome to talk to one of our sales representatives.  
Contact your sales representative by phone at +46 (0)651-175 00 or e-mail [sales@exte.se](mailto:sales@exte.se)

## MORE INFORMATION:

Please visit our website, [www.exte.se](http://www.exte.se), for further technical information and installation instructions for our timber bunks and tensioners.  
Download a copy from our website or order a printed copy by calling +46 (0)651-175 or sending an e-mail to [sales@exte.se](mailto:sales@exte.se)



[facebook.com/exte.sweden](https://facebook.com/exte.sweden)



[@exte\\_sweden](https://www.instagram.com/exte_sweden)



[youtube.com/user/ExTeSwe](https://youtube.com/user/ExTeSwe)



[linkedin.com/company/exte](https://linkedin.com/company/exte)

# ExTe

Securing cargo. We invented the concept.