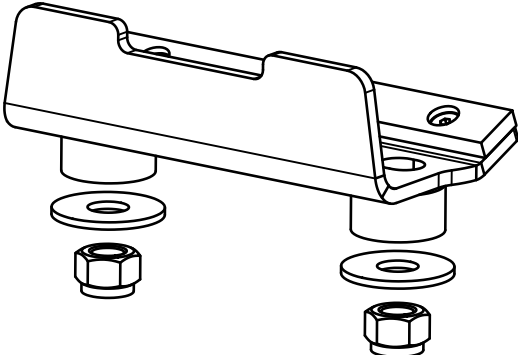
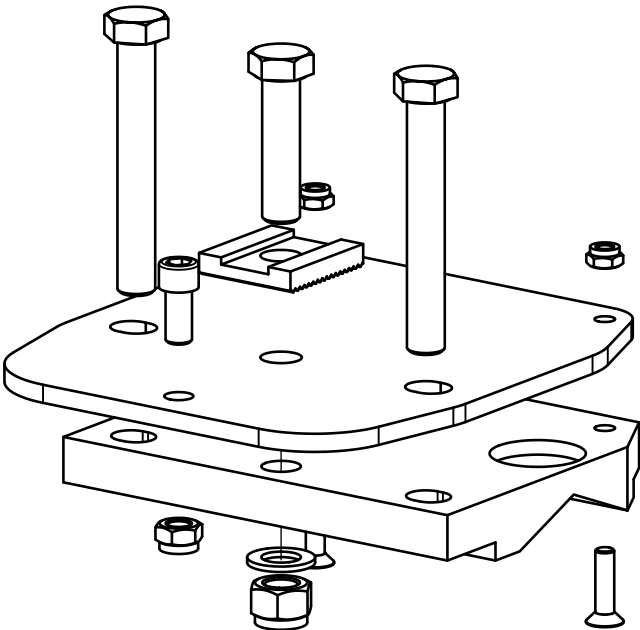


STÖD-/SKYDDSBANKE ALU. / SUPPORT-/PROTECT BOLSTER ALU.

NOCKFÄSTE / CAM ATTACHMENT

Art.nr 800012



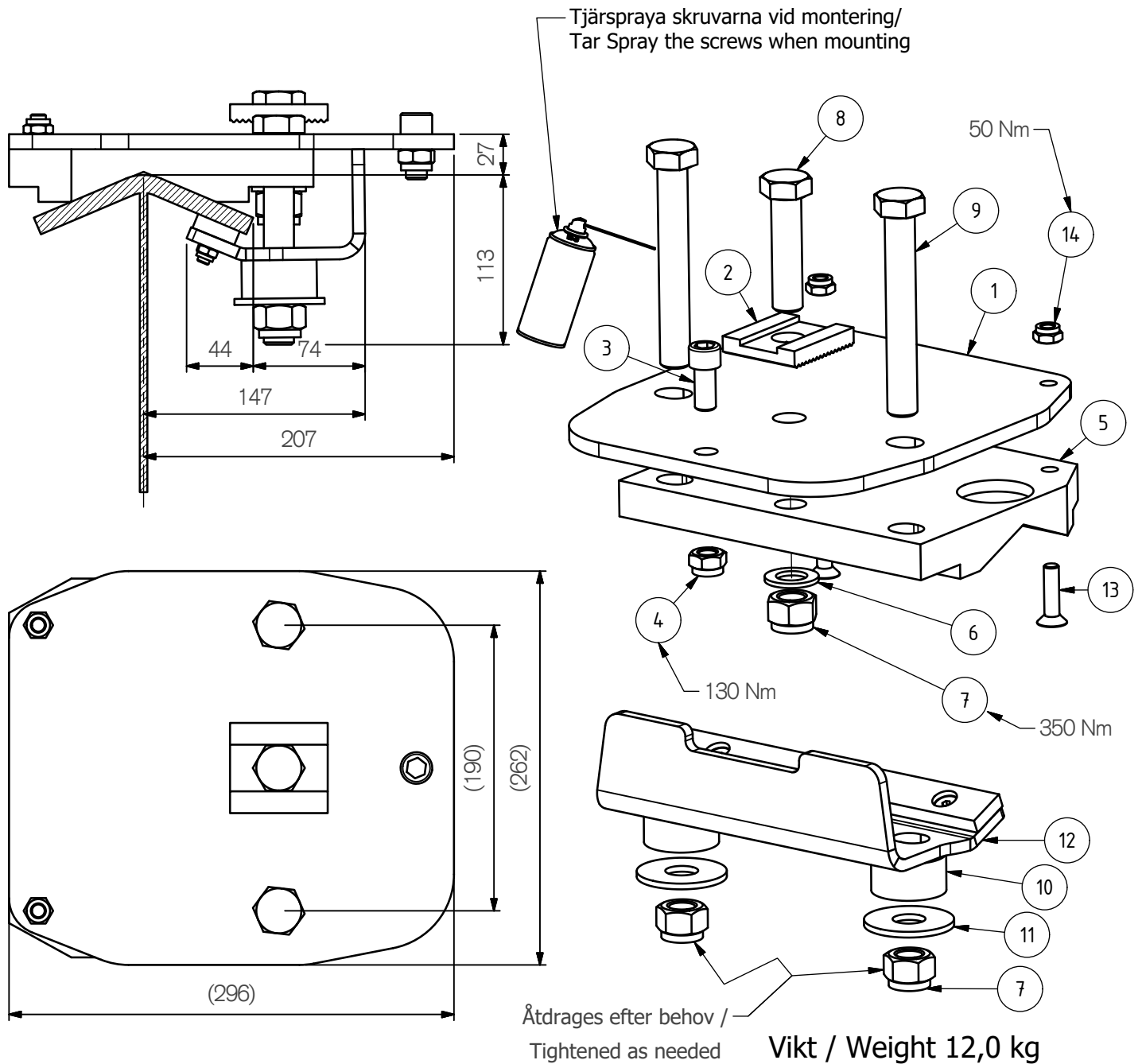
800012 B

ExTe

Securing cargo. We invented the concept.

NOCKFÄSTE / CAM ATTACHMENT

Page 2



POS.	QTY	PART NO.	BESKRIVNING	DESCRIPTION
1	1	803074	MONTAGEPLATTA	MOUNTING PLATE
2	1	490040	LÅSBRICKA	LOCKING PLATE
3	1	211641	SKRUV MC6S M14x30 FZB	SCREW MC6S M14x30 FZB
4	1	211867	LÅSMUTTER LM6M LÅG M14 FZB	LOCKING NUT LM6M LOW M14 FZB
5	1	800005	GLIDPLATTA 22,5°	SLIDING PAD
6	1	211902	BRICKA BRB M20 FZB	WASHER BRB M20 FZB
7	3	211861	Låsmutter LM6M Hög M20 FZB	LOCKING NUT LM6M HIGH M20 FZB
8	1	211181	SKRUV M6S M20x80 FZB	SCREW M6S M20x80 FZB
9	2	211171	SKRUV M6S M20x140 FZB	SCREW M6S M20x140 FZB
10	2	800656	GUMMIPUCK BYGELFÄSTE	RUBBER HEEL
11	2	102851	BRICKA 22x60x4 FZB	WASHER 22x60x4
12	1	800014	UNDERBYGEL	LOWER CLAMP
13	2	211193	SKRUV MF6S M10x40 FZB	SCREW MF6S M10x40 FZB
14	2	211856	Låsmutter LM6M låg M10 FZB	LOCKING NUT LM6M LOW M10 FZB

ExTe

Securing cargo. We invented the concept.

ExTe Fabriks AB, SE-820 41 Färla Sweden. Tel: +46 (0)651 175 00. Fax: +46 (0)651 175 03. E-mail: info@exte.se www.exte.se