

Autonordic VIP hook



Autonordic where safety is a requirement



- Forged hook for high strength and long service life.
- Installed in a robust housing. Made from 4 mm sheet metal.
- Mounted on the truck bed edge profile.
- Manufactured and assembled in Sweden.
- Breaking strength 60 kN. Weight 1.5 kg.

Autonordic® 780615
FORGED HOOK



ExTe

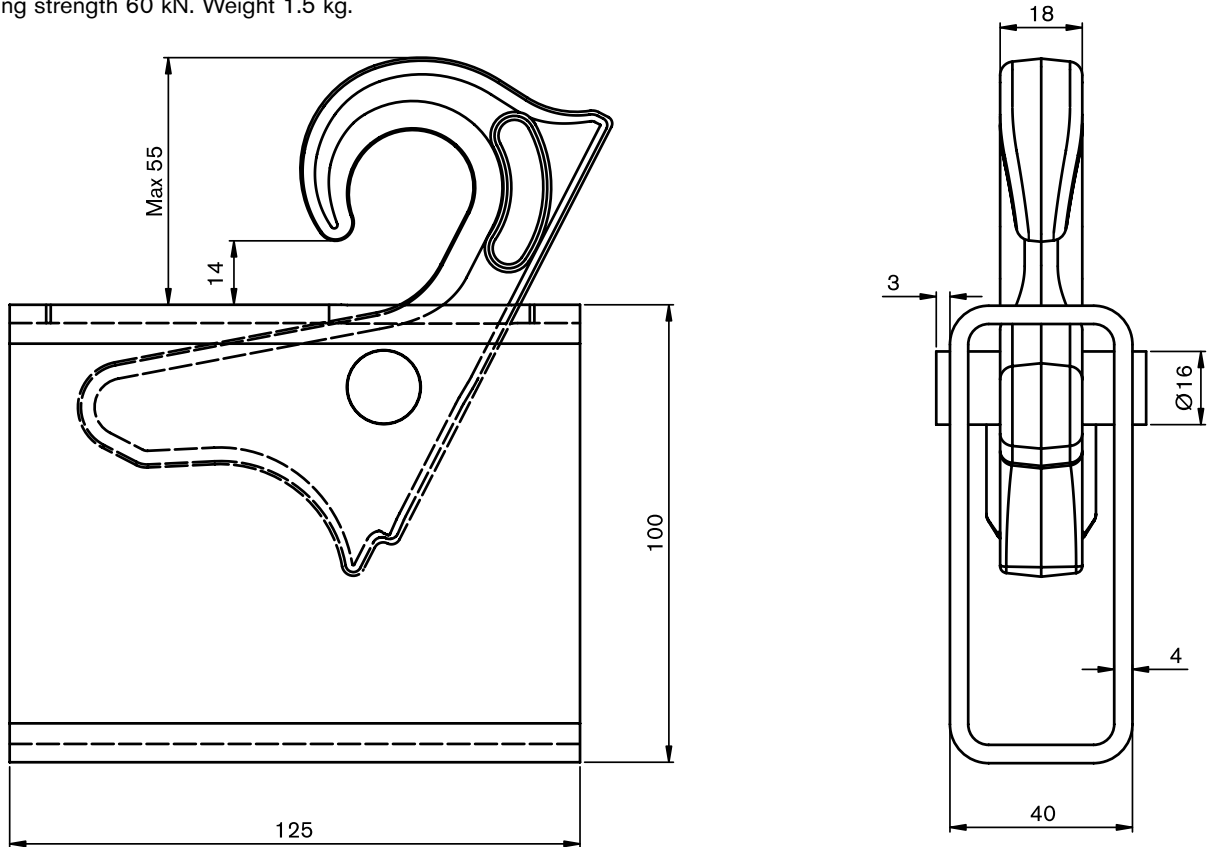
Securing cargo. We Invented the Concept.

Autonordic VIP hook

TECHNICAL INFORMATION

Autonordic VIP hook 780615

780615 VIP hook Hook for mounting on edge profile.
Breaking strength 60 kN. Weight 1.5 kg.



Order no 780615

The Autonordic VIP hook has been designed to withstand high loadings from different angles.

The Autonordic VIP hook with the robust 4 mm sheet metal housing offers high strength and durability.



We reserve the right to make amendments or modifications without prior notice.

Note. When mounting, follow the chassis manufacturer's instructions and authorities' requirements for strength.

Tensile tested by the Swedish National Testing and Research Institute.

The Autonordic lashing attachments have been tested in accordance with EN 10204-3.1.B (DIN 50049)

ExTe

Securing cargo. We invented the Concept.

ExTe Fabriks AB, SE-820 41 Färila Sweden.
Tel: +46 (0)651 175 00. Fax: +46 (0)651 175 03.
info@exte.se www.exte.se