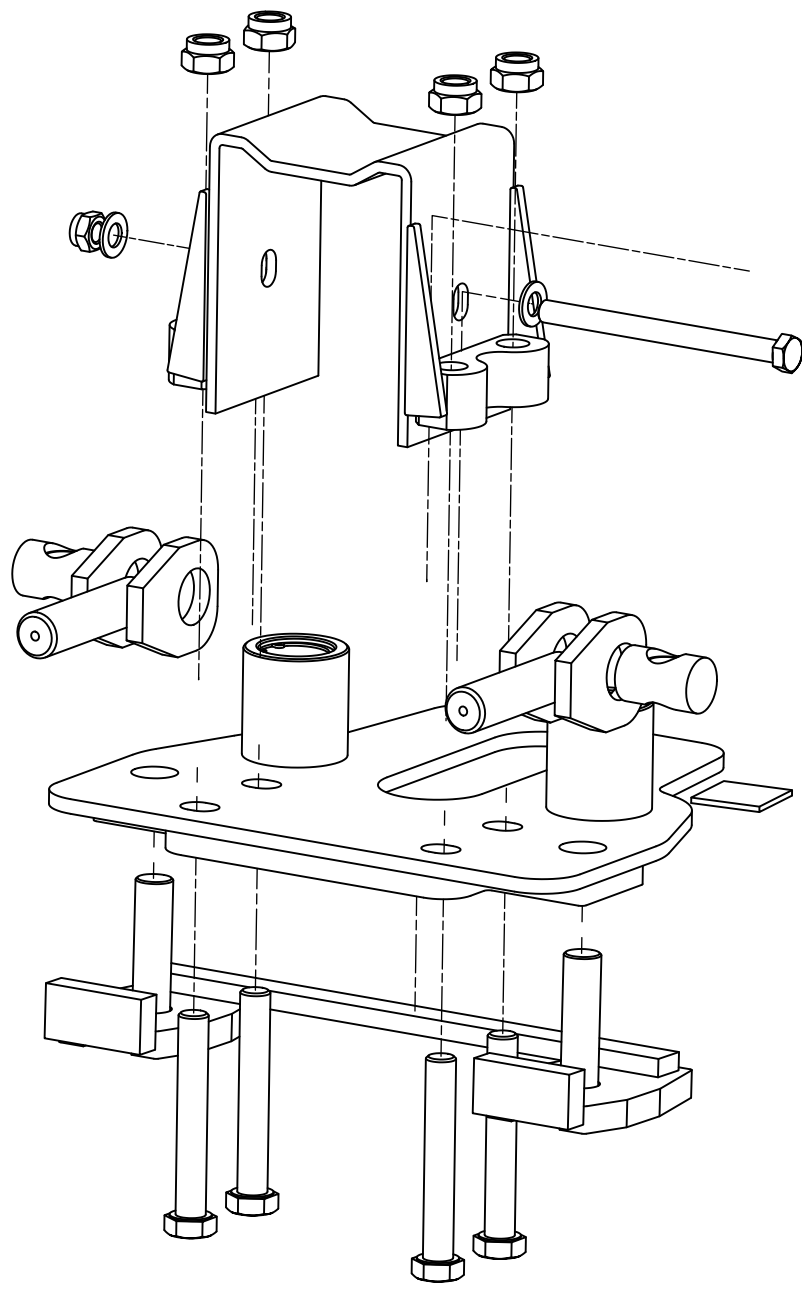


Rullfäste med bygel / Roller attachment with clamp / Rollenbefestigung mit Bügel

144 / D / E-Series

Art.nr 800789

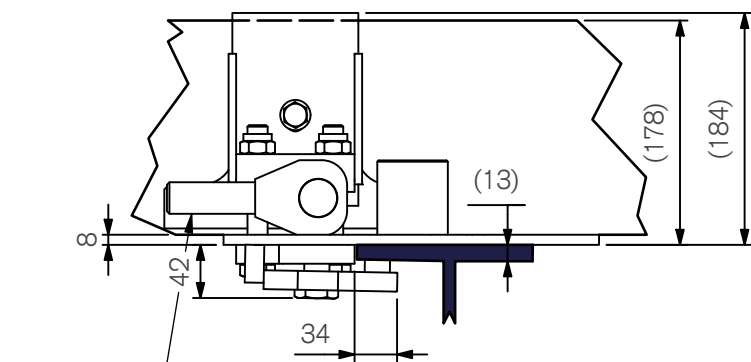


800789 D

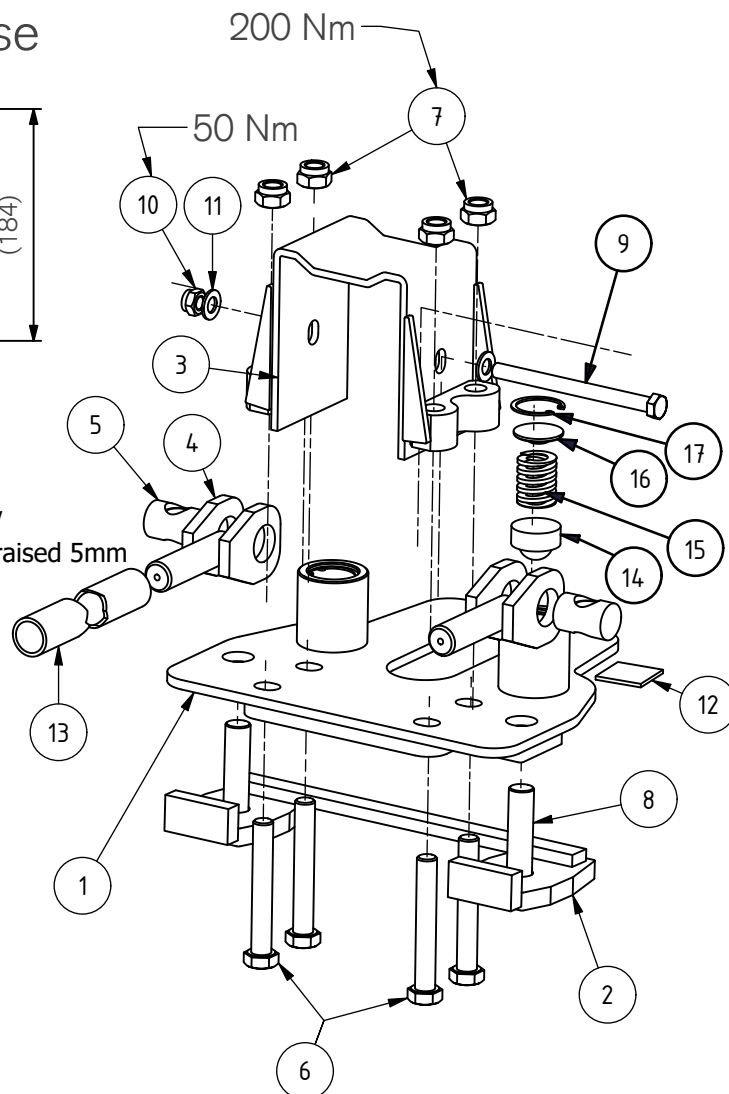
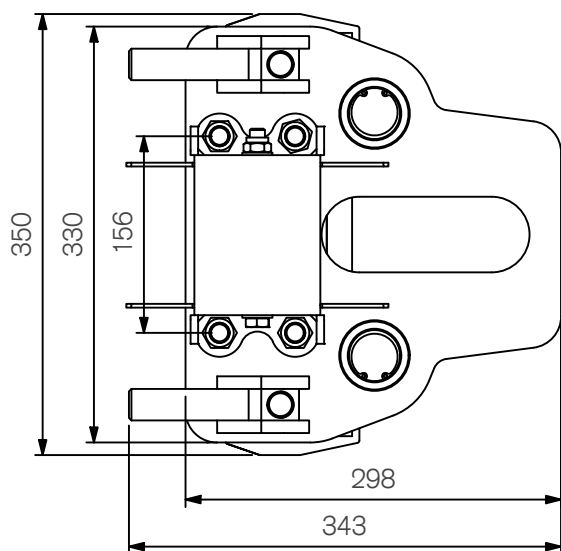


Securing cargo. We invented the concept.

Mått / Dimension / Einbaumasse



När spänngaffeln släpps, höjs monteringsplattan ca: 5mm/
When the excentric fork is released, the mountingplate is raised 5mm



Vikt / Weight / Gewicht: 17,9 kg

| Pos. | Art.nr | Benämning | Description | Bezeichnung | Gewicht |
|------|--------|----------------------------|-------------------|---------------------|---------|
| 1 | 800791 | Monteringsplatta Rullfäste | MOUNTING PLATE | GRUNDPLATTE | 8,50 kg |
| 2 | 800613 | UNDERBYGEL | FASTENING PLATE | BEFESTIGUNGSBÜGEL | 2,40 kg |
| 3 | 800793 | Överbygel Rull | UPPER PART | BÜGEL OBEN | 3,14 kg |
| 4 | 800713 | SPÄNNGAFFEL | EXCENTRIC FORK | SPANNGABEL | 0,83 kg |
| 5 | 800709 | AXEL M20 | AXLE M20 | ACHSE M20 | 0,19 kg |
| 6 | 211120 | SKRUV M16x110 FZB | SCREW M16x110 FZB | SCHRAUBE M16x110 | 0,21 kg |
| 7 | 211860 | LÅSMUTTER M16 FZB | LOCKING NUT M16 | STOPP MUTTER M16 | 0,04 kg |
| 8 | 211167 | SKRUV M20x1,5x80 | SCREW M20x1,5x80 | SCHRAUBE M20x1,5x80 | 0,27 kg |
| 9 | 211096 | SKRUV M6S M12x150 | Screw | Schraube | 0,15 kg |
| 10 | 211857 | LÅSMUTTER M12 FZB | LOCKING NUT M12 | STOPP MUTTER M12 | 0,02 kg |
| 11 | 211907 | Bricka BRB M12 FZB | Washer | Scheibe | 0,01 kg |
| 12 | 800718 | STOPPKLACK | STOP | ANSCHLAG | 0,04 kg |
| 13 | 800716 | MANÖVERNYCKEL | OPERATING HANDLE | ROHR | |
| 14 | 800607 | KULRULLE | ROLLER BEARING | KUGELROLLE | |
| 15 | 800608 | FJÄDER | SPRING | FEDER | |
| 16 | 800609 | LOCK | COVER | DECKEL | |
| 17 | 800610 | LÅSRING | LOCK RING | SICHERUNGSRING | |

ExTe

Securing cargo. We invented the concept.