

SYSTEM

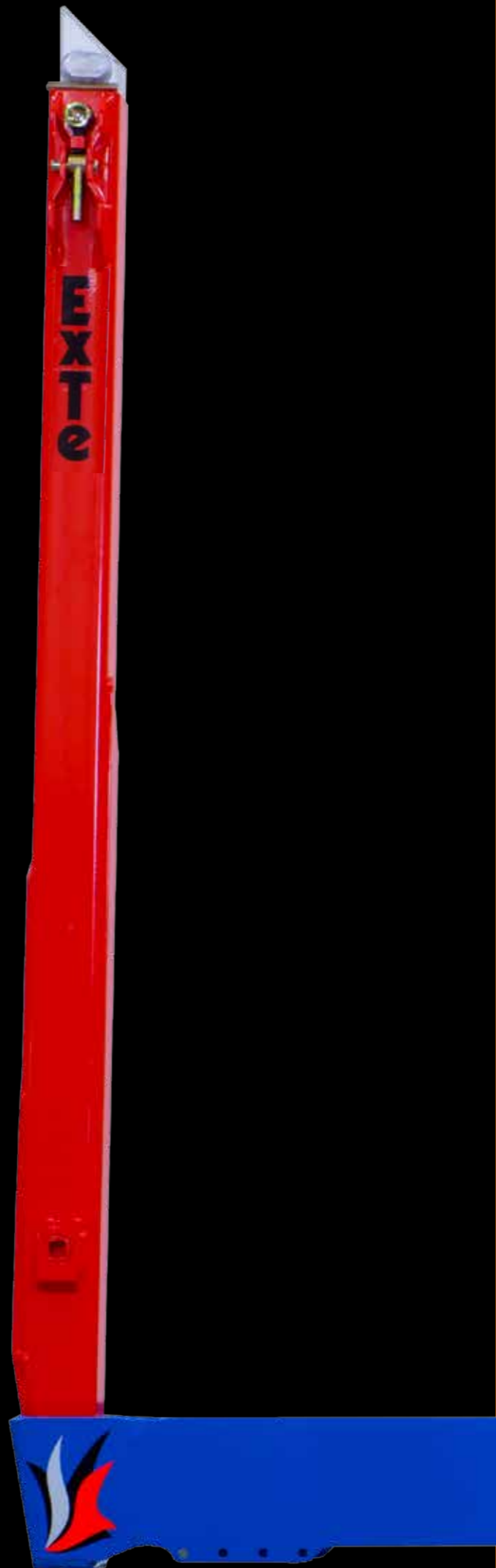
144

A SYSTEM FOR MAXIMUM FLEXIBILITY

ExTe

Securing cargo. We invented the concept.

FILE XIB LE



SOLUTIONS THAT OFFER MORE OPTIONS

Sturdy construction

System 144 can withstand extreme pressure for a long period of time. The upper section of the telescopic stakes is aluminium. The interaction between the stakes, bolsters and bolster attachments makes the overall structure resilient to any possible handling miscalculations during loading and offloading.

System 144

ExTe's all-time best-selling bunks. The powerful and sturdy system is reliable, versatile and easy to transfer to the next rig when it is time to switch. That is why System 144 is so popular among hauliers all over the world.



One system for all transportation needs

The 144 system is predominantly built in high tensile steel and includes a product mix that is ideal for hauliers who do not just transport roundwood.

One system with several options

System 144 comes in several different designs, to provide more options for hauliers who do not just transport roundwood. With sockets, bolsters and stakes inset into the flatbed, the rig can quickly be customised to accommodate a variety of cargo types, such as sawn timber.

Flatbed sockets increase the options

Even the flatbed sockets are made from high tensile steel. The sockets are heat-treated and suitable for welding, without the need for preheating. Sockets are usually fitted to flatbed configurations, which have been designed for mixed cargo.

WE LISTEN, BUILD AND TEST.

At ExTe, listening to ideas and feedback from hauliers, drivers and body builders is in our genes. It is often the basis for the development of new products with unique, practical solutions. All new products undergo extensive testing, both in the laboratory and through extensive trial use in practice, before they are released into the market. All in the name of maximising safety and functionality.



BASIC STAKE DESIGNS.

Telescopic stakes enable adjustments to be made, for flexible load heights. The stakes are available in various heights, with or without the telescopic function.



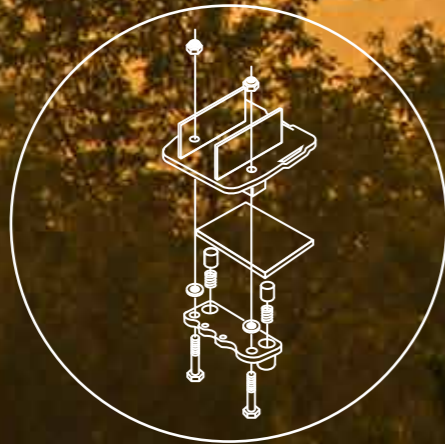
WE'VE THOUGHT OF EVERYTHING.

SYSTEM 144



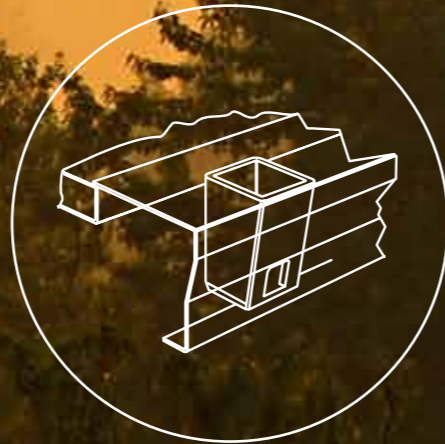
Customised bolsters

The 144 bolster has primarily been designed for heavy-duty roundwood cargo, whereas the stakes on the 144-S bolster are not as angled inwards and the stake tops are farther apart. This is helpful when loading dimensionally stable cargo, such as sawn timber.



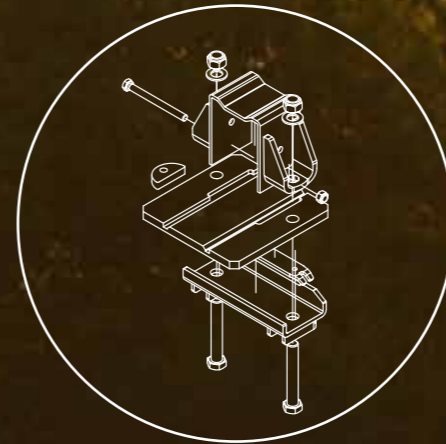
Lightweight, practical welding attachments

The bolster attachments are made of steel and are vital components of major significance for the service life and roadworthiness of the equipment. The attachments are also important for the flexibility of the bolsters. The lightweight, practical welding attachments come sand-blasted. They are available in various designs, including clamp, friction and roller attachments.



Extra flatbed sockets

If required, bolsters can be fitted with additional flatbed sockets inset into the bolsters. Bolsters with central sockets are available as standard.



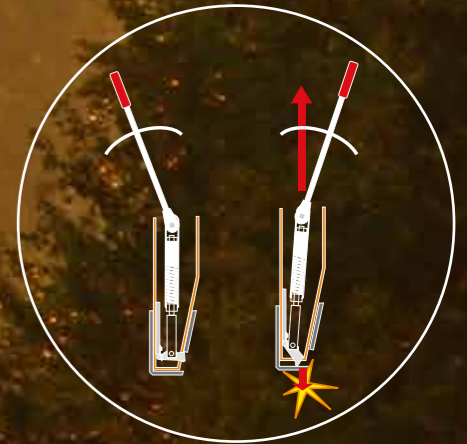
Bolt-mounted bracket attachments provide flexibility without the need for welding

Bracket attachments enable the bolster to be attached to any bolster width. During assembly, holes are drilled into the side of the bolster and the mount is bolted on. Bracket attachments are supplied coated. They are available in various designs, including clamp, friction and roller attachments.



Stake attachment options

Stakes can be attached using bolt connectors or quick release locking. Both options are compatible with all 144 bolster and sockets. Bolt connectors are recommended for more permanently positioned stakes.



Rapid, simple repositioning

The stakes are usually attached by quick-release fastener to enable them to be repositioned quickly and easily. The locking mechanism is based on the principle of eccentricity. The quick-release locking are compatible with all 144 bolster and sockets.

INNOVATIVE ENGINEERING THAT SIMPLIFIES AND STREAMLINES.

Extensive range of accessories. The pre-drilled bolsters enable easy installation of several specially-designed accessories that make the driver's job safer and less strenuous. Here are a few examples. Please visit our website for a comprehensive list of our entire range of accessories.



THE HOOK

helps you lift chains/straps more easily.



The hook has been designed so it can be easily lifted with the grapple. Both the hook and the holder are made from specially-designed, durable rubber. The holder is easy to mount on the stake and has been designed to ensure the hook remains in place even during transportation. Our hook solution is gentle on the body and increases safety, while also speeding up the lashing process.

THE CHAIN HOLDER

for assembly on stakes.



Hang the chain on the stake quickly and simply. For right-hand or left-hand assembly. As the hole configurations are the same, it can be attached with the hook holder to the pre-drill holes.

HOOKS AND HOOPS

secure and functional lashing attachments.



Both the hooks and hoops are made from high-tensile steel. They are bolted to the release mounting.

AUTONORDIC 801

tensioners with a built-in strap reserve.



The Autonordic 801 is a manual tensioner made of steel. It has a spring-loaded locking function and the heavy-duty latch can be released using a tension rod.

TU TENSIONERS

automatic, compact and flexible.



On timber rigs, TU tensioners are mounted onto bunks or bolsters. The symmetric design (right/left) means that strap drums, as well as release levers, can be attached to either side, depending on specific needs or preferences. The TU tensioner has been designed to secure all types of heavy goods loads for transportation, whether it be timber or any other type of cargo. Pneumatic disengaging of the tensioning mechanism is an optional extra. With this option, the tensioner can be disengaged at the touch of a button from inside the cab.

REMOTE CONTROLLED RELEASE MECHANISM

makes the job easier and safer.



The benefit of a pneumatic release mechanism is that the driver does not have to walk round and release every single lashing individually. Using just one hand, from inside the cab, the lashings on all of the stacks can be released simultaneously. Once the lashings have been released, the strap coils up automatically. Simple and practical. If you only need to release the lashing on individual stacks, then you still have the cable release.



A NETWORK OF DISTRIBUTORS

ExTe has a well-established network of distributors around the world. This is who hauliers should contact in the first instance. Most of the distributors are qualified body builders and service technicians, and are located near the hauliers. That is where the most common products and spares will be in stock. But it goes without saying that everyone is welcome to contact the ExTe sales team directly.



TECHNICAL SUPPORT

ExTe's Technical Support team is global and they are always available for hauliers, body builders and service technicians. In the event of a problem, things can usually be resolved over the phone straight away. An important function for our Technical Support team is carrying out planned and preventative inspections at the hauliers. The Technical Support team is also usually involved the first time an upfitter installs an ExTe product, in addition to providing training for assembly and warehouse staff.



WE OWN THE PATENTS

"Securing cargo. We invented the concept." And we have been coming up with solutions to improve safety and quality for hauliers since 1898. Today, ExTe has a wide range of unique, patented solutions. ExTe's patent symbol indicates something unique and which is only available from ExTe. That ExTe has something which no-one else has.

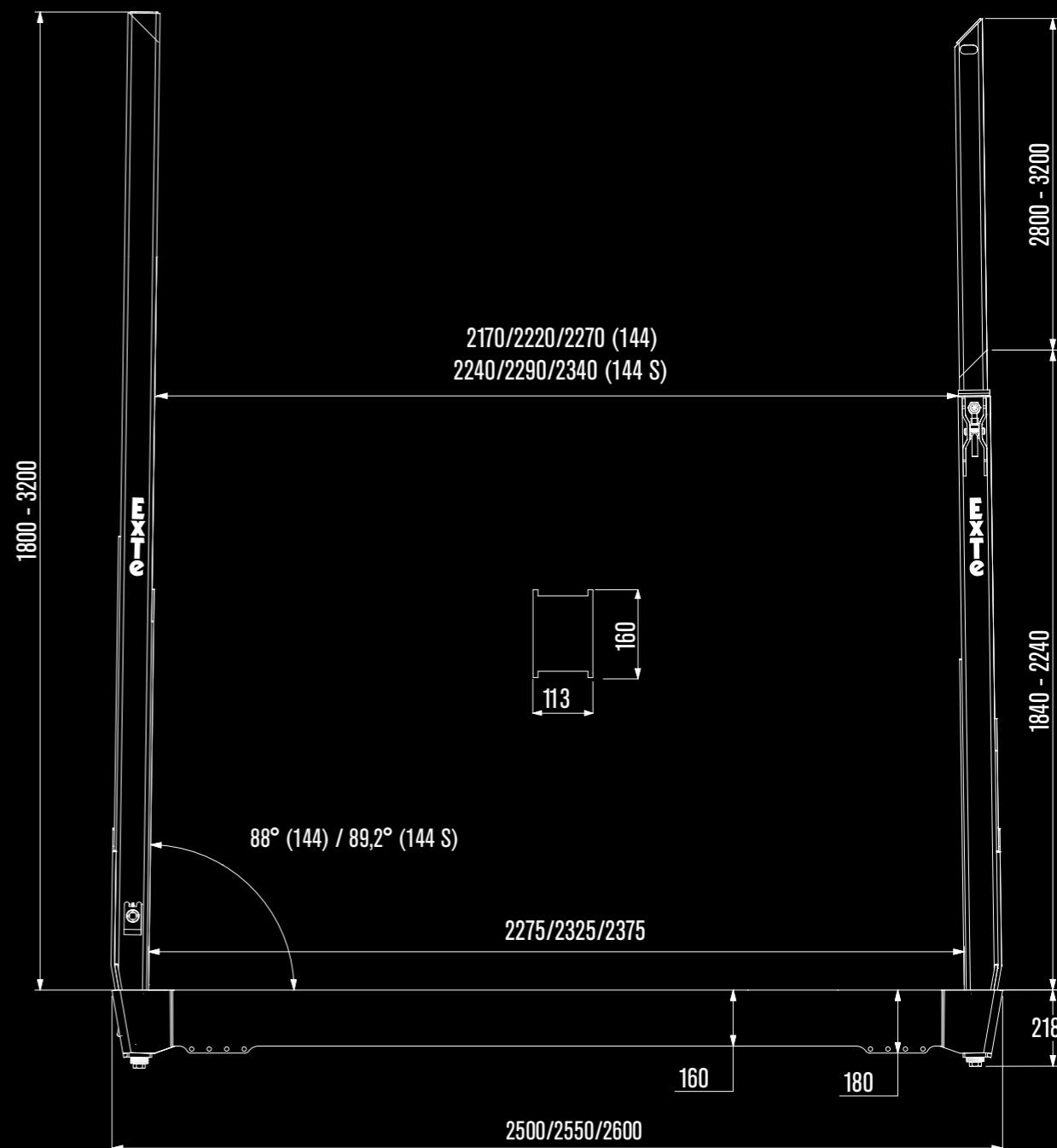


144

144 - Timber Bunk.
Max. load per bunk: 7 tons.
Weight from 130 kg.

144-S

144-S - Timber Bunk.
Max. load per bunk: 7 tons.
Weight from 130 kg.



SAFETY IS OUR BRAND.

ExTe is the world's leading manufacturer and supplier of timber bunks and automatic tensioners. For more than 100 years, we have been developing and delivering products for safely securing the timber loads being transported along our roads and railways.



MORE INFORMATION:

Please visit our website www.exte.se for further technical information and installation instructions for our timber bunks and tensioners. Download a copy from our website or order a printed copy by calling +46 (0)651-175 00 or sending an email to sales@exte.se



facebook.com/exte.sweden



[@exte_sweden](https://instagram.com/exte_sweden)



youtube.com/user/ExTeSwe