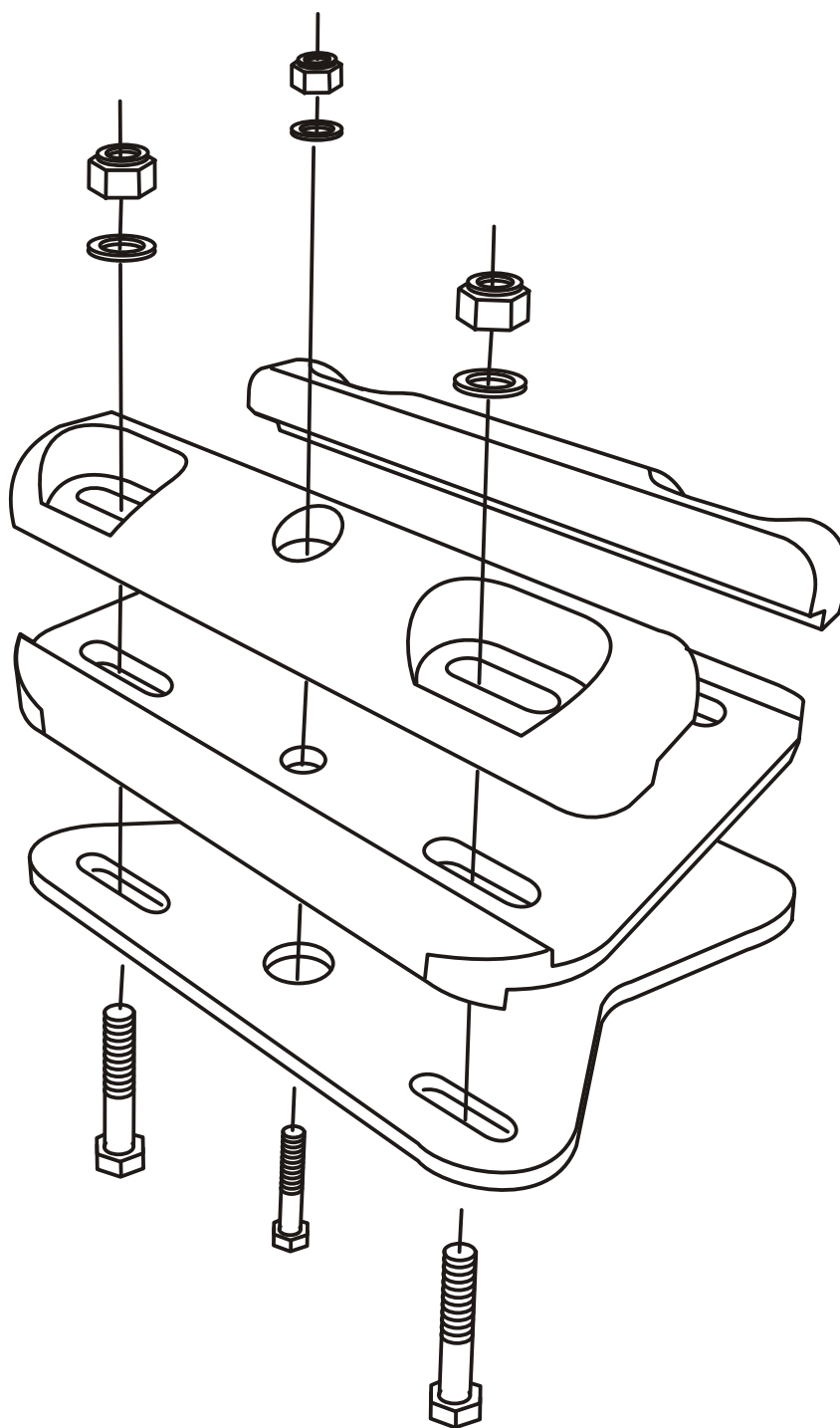


Skjutbordsfäste / Sliding frame attachment / Ladeverschiebung

A-Serie

(Stålbord / Steel sliding frame / Stahl gleitbahn)

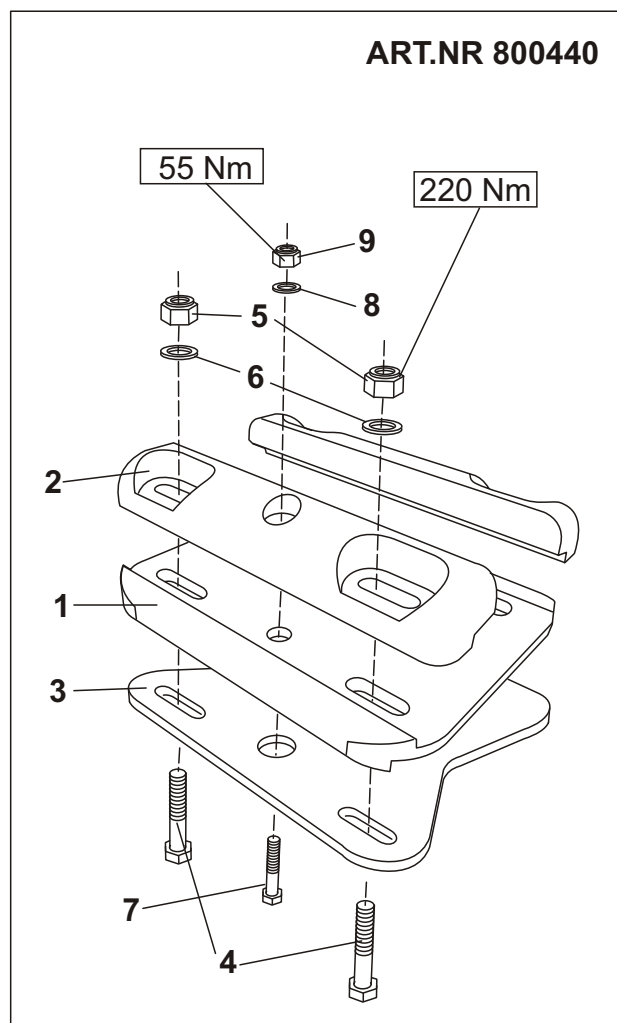
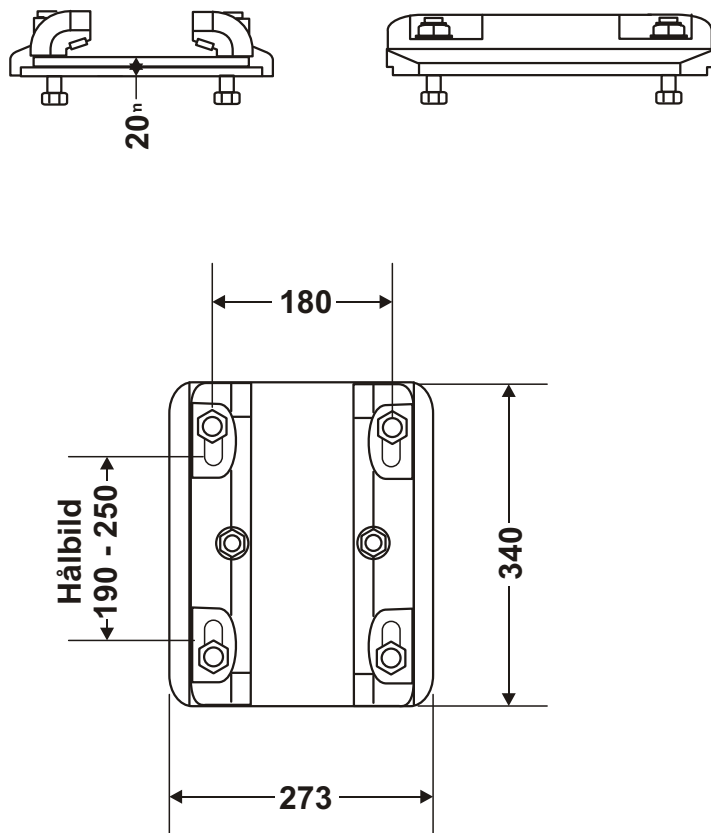
Art.nr 800440



ExTe

Securing cargo. We invented the concept.

Mått / Dimension / Einbaumasse



Vikt / Weight / Gewicht: 11.5 kg

Pos	Art.nr	Benämning	Description	Bezeichnung	kg
1	800441	Monteringsplatta	Mounting plate	Grunplatte	2.72
2	800442	Låsklack	Lock fittings	Verriegelugsansatz	1.44
3	800443	Distansplatta (stål)	Distance plate	Distanz platte	1.06
4	211125	Skruv M16x70	Screw M16x70	Schraube M16x70	
5	211860	Mutter Locking M16	Nut locking M16	Mutter locking M16	
6	211934	Bricka	Washer	Scheibe	
7	211014	Skruv M10x50	Screw M10x50	Schraube M10x50	
8	211909	Bricka	Washer	Scheibe	
9	800165	Mutter Locking M10	Nut locking M10	Mutter Locking M10	

ExTe