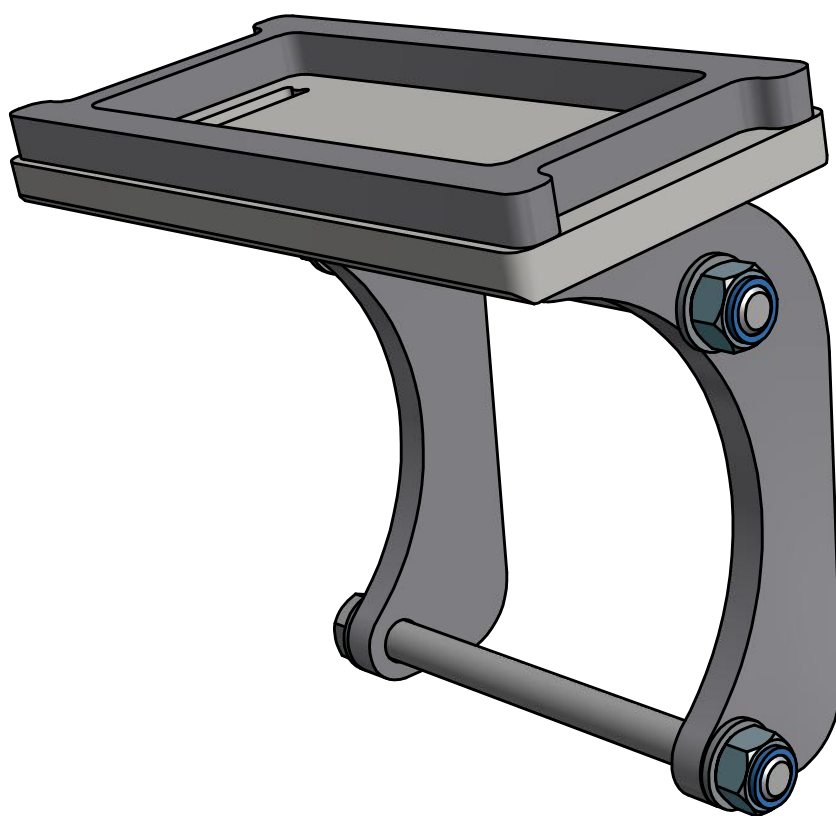


# TU

Glidfäste vinklat / Sliding bracket tilted

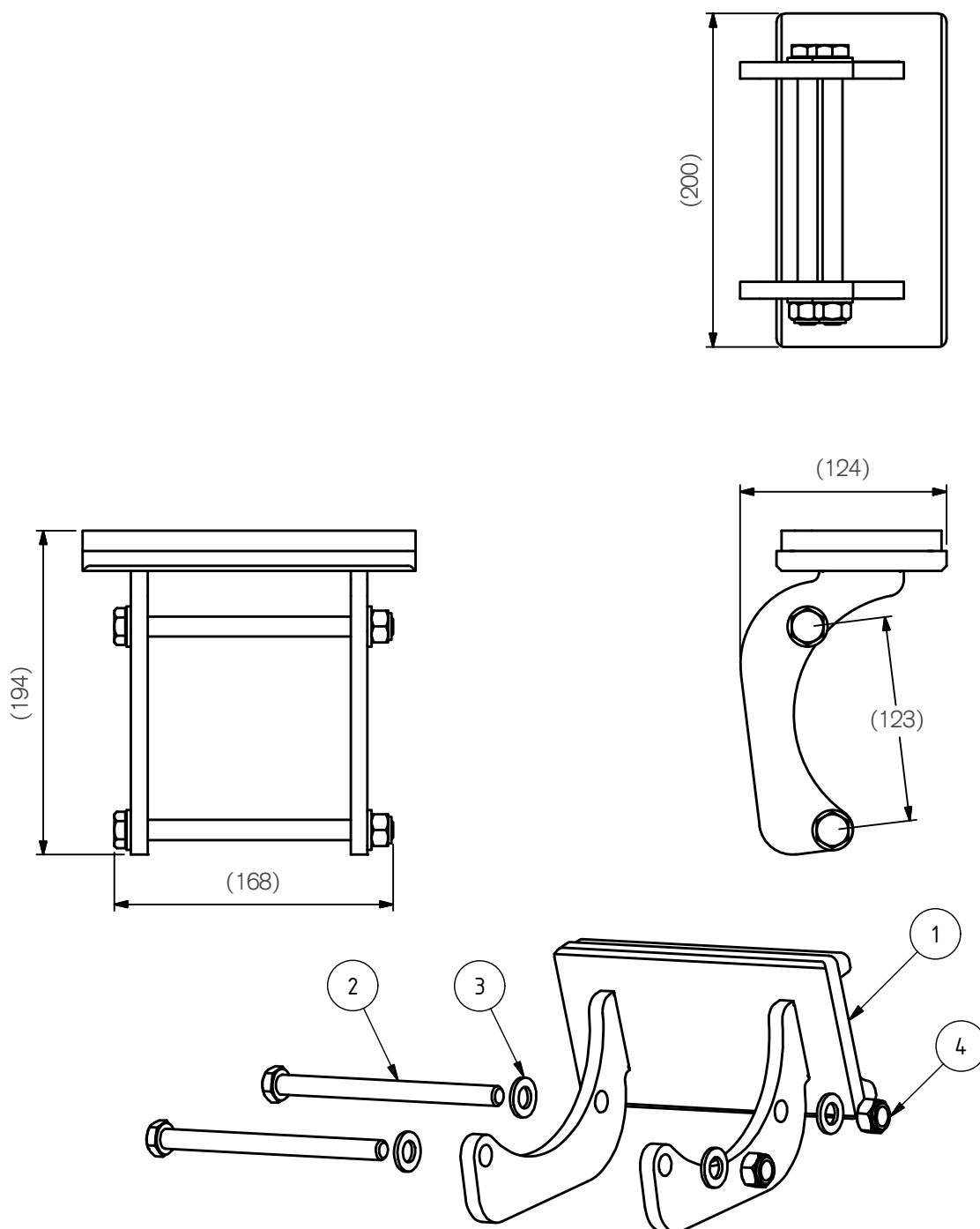
Art.nr 803141



803141 2015-03-15

# ExTe

Securing cargo. We invented the concept.



Vikt / Weight 3.7 kg

Pos.	Qty	Part No.	Beskrivning	Description
1	1	400371	GLIDFÄSTE VINKLAT	SLIDING BRACKET TILTED
2	2	211099	SKRUV M6S 12x160 FZB	SCREW M6S 12x160 FZB
3	4	211907	BRICKA BRB 12 FZB	WASHER BRB 12 FZB
4	2	211857	MUTTER LOC-K M12 FZB	LOCKING NUT M12 FZB

# ExTe

Securing cargo. We invented the concept.