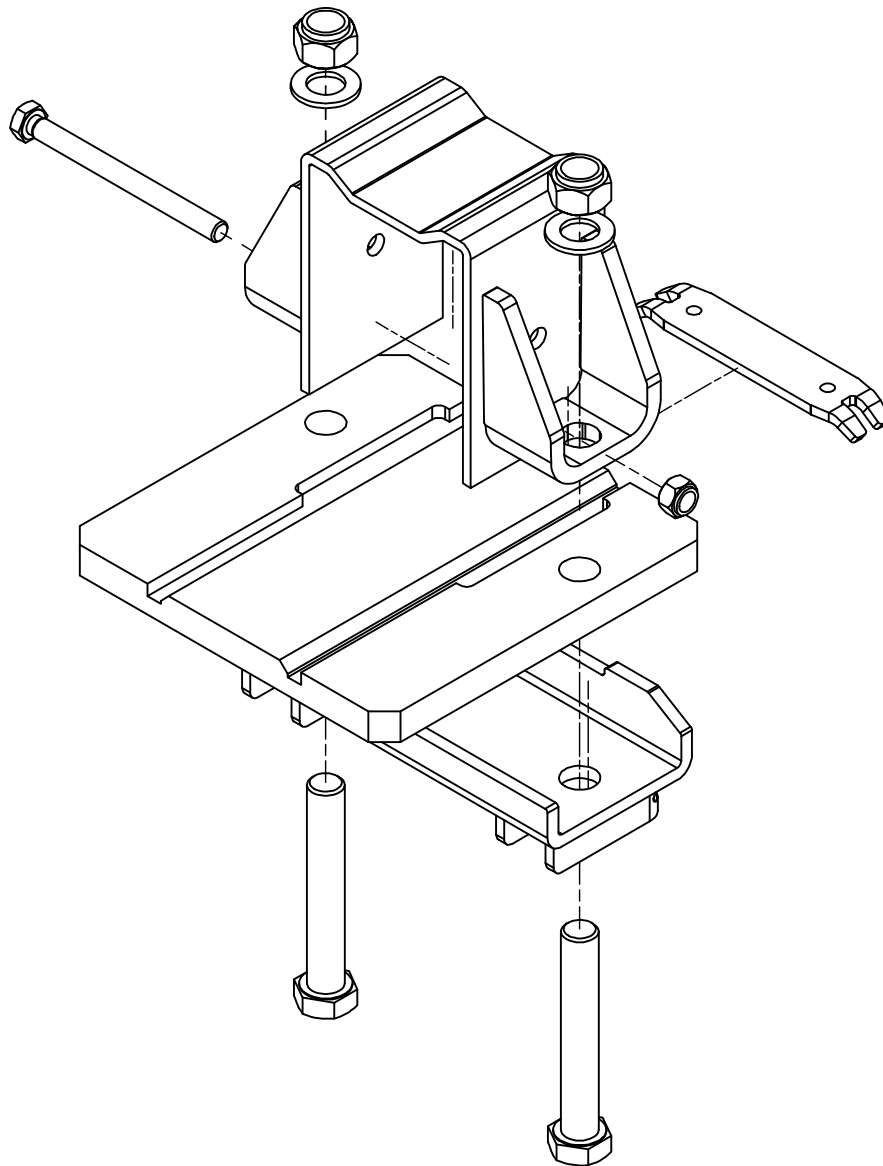


D/E/144-Series

KLÄMFÄSTE PLASTPLATTA / CLAMPING ATTACHMENT PLASTIC PLATE

Art.nr 800740



800740 2012-12-18

ExTe

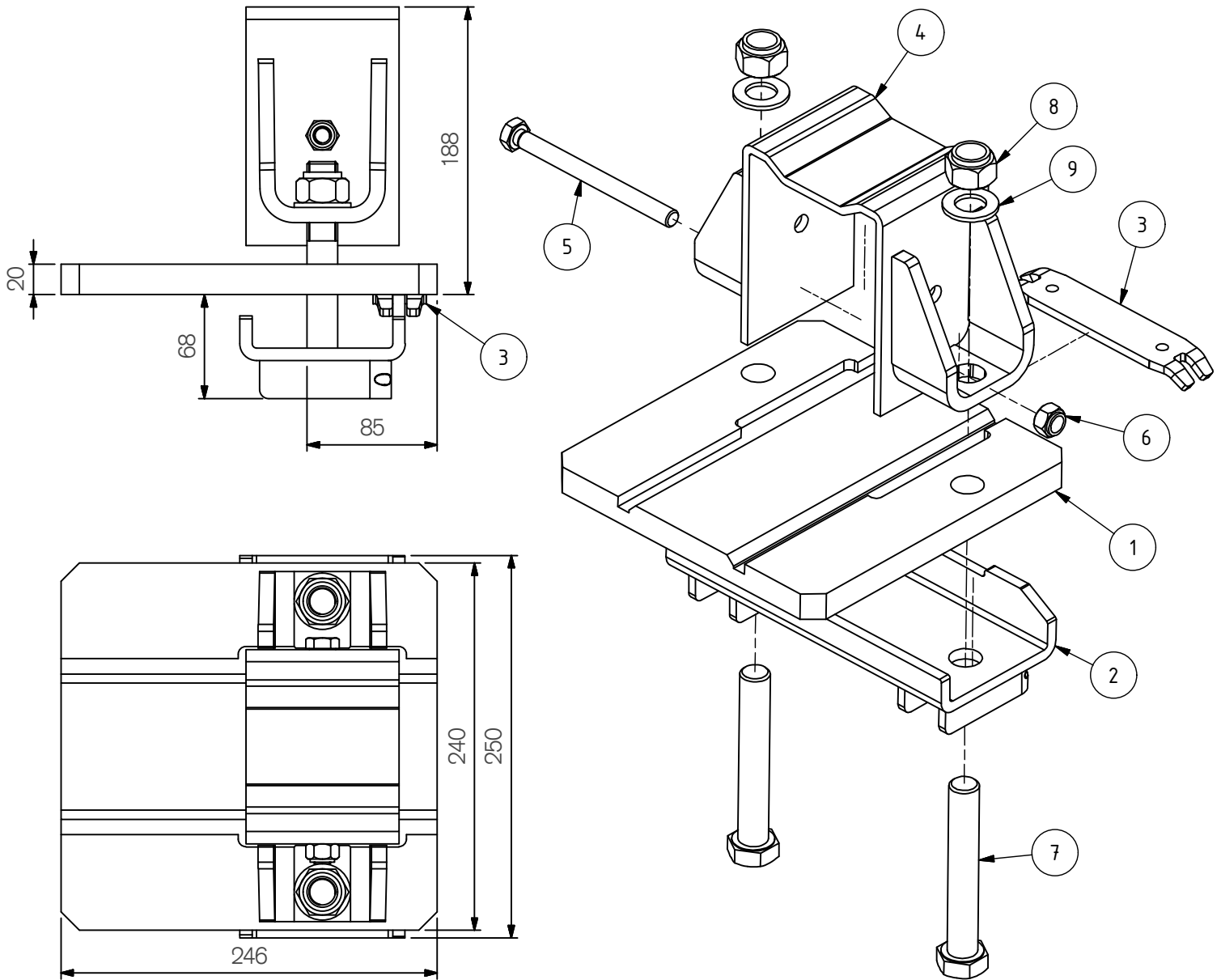
Securing cargo. We invented the concept.

KLÄMFÄSTE PLASTPLATTA / CLAMPING ATTACHMENT PLASTIC PLATE

Page 2

Teknisk data / Technical details

Reservdelar / Spare Parts



Vikt / Weight 9,0kg

Pos.	QTY	Art.nr	Benämning	Description
1	1	800630	MONTERINGSPLATTA PLAST	PLASTIC MOUNTING PLATE
2	1	800675	UNDERBYGEL	LOWER CLAMP
3	1	490095	STÖD UNDERBYGEL	SUPPORT LOWER CLAMP
4	1	800765	ÖVERBYGEL	UPPER CLAMP
5	1	211098	SKRUV M6S 12x140	SCREW
6	1	211857	MUTTER LOC-K 12	NUT
7	2	211169	SKRUV M6S 12x130	SCREW
8	2	211861	MUTTER LOC-K 20 BK8 FZB DIN 982	NUT
9	2	211902	BRICKA BRB 21x36x3 FZB SMS 70	WASHER

ExTe

Securing cargo. We invented the concept.

ExTe Fabriks AB, SE-820 41 Färla Sweden. Tel: +46 (0)651 175 00. Fax: +46 (0)651 175 03. E-mail: info@exte.se www.exte.se