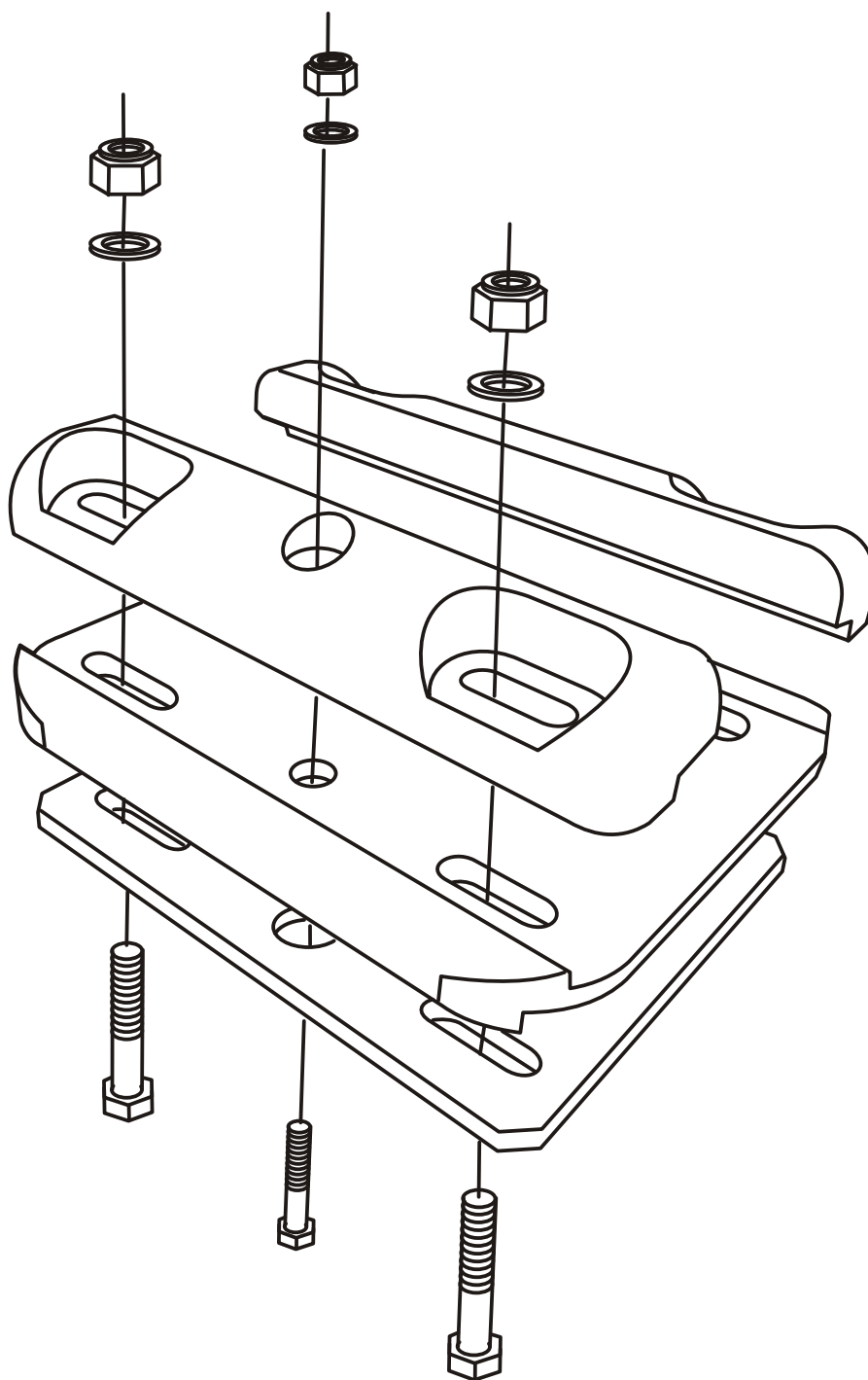


Skjutbordsfäste / Sliding frame attachment / Ladeverschiebung

A-Serie

(Aluminiumbord / Alu sliding frame / Alu gleitbahn)

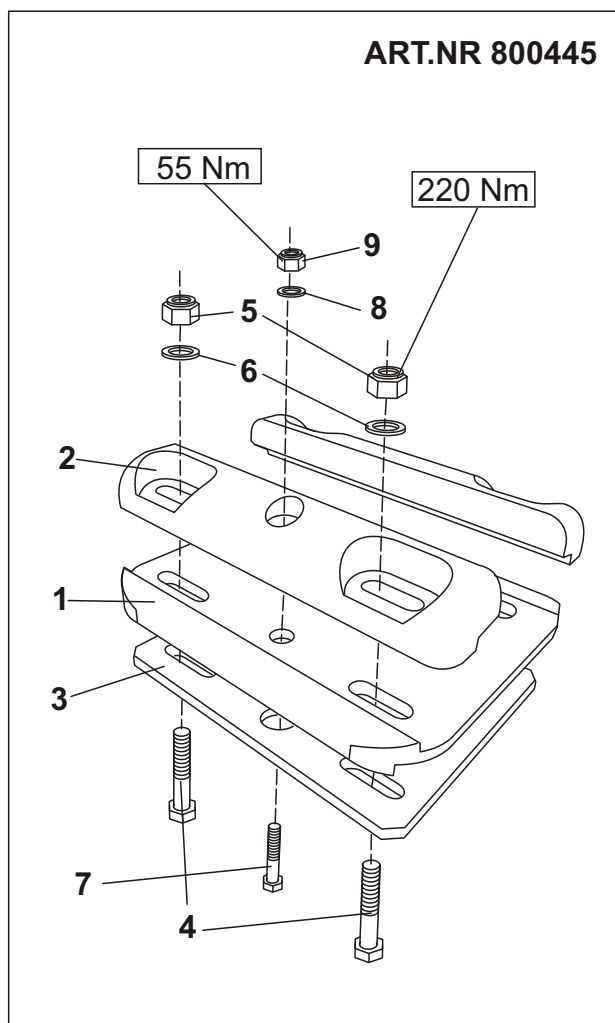
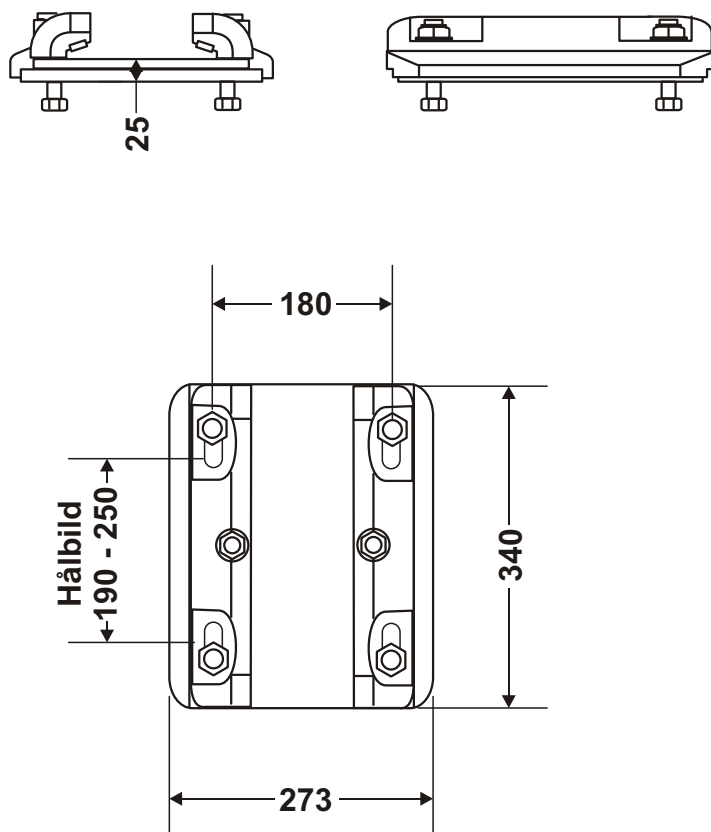
Art.nr 800445



ExTe

Securing cargo. We invented the concept.

Mått / Dimension / Einbaumasse



Vikt / Weight / Gewicht: 8.5 kg

| Pos | Art.nr | Benämning | Description | Bezeichnung | kg |
|-----|--------|-----------------------|-----------------|--------------------|------|
| 1 | 800441 | Monteringsplatta | Mounting plate | Grunplatte | 2.72 |
| 2 | 800442 | Låsklack | Lock fittings | Verriegelugsansatz | 1.44 |
| 3 | 800444 | Distansplatta (plast) | Distance plate | Distanz platte | 1.06 |
| 4 | 211129 | Skruv M16x90 | Screw M16x90 | Schraube M16x90 | |
| 5 | 211860 | Mutter Locking M16 | Nut locking M16 | Mutter locking M16 | |
| 6 | 211934 | Bricka | Washer | Scheibe | |
| 7 | 211014 | Skruv M10x50 | Screw M10x50 | Schraube M10x50 | |
| 8 | 211909 | Bricka | Washer | Scheibe | |
| 9 | 800165 | Mutter Locking M10 | Nut locking M10 | Mutter Locking M10 | |

ExTe