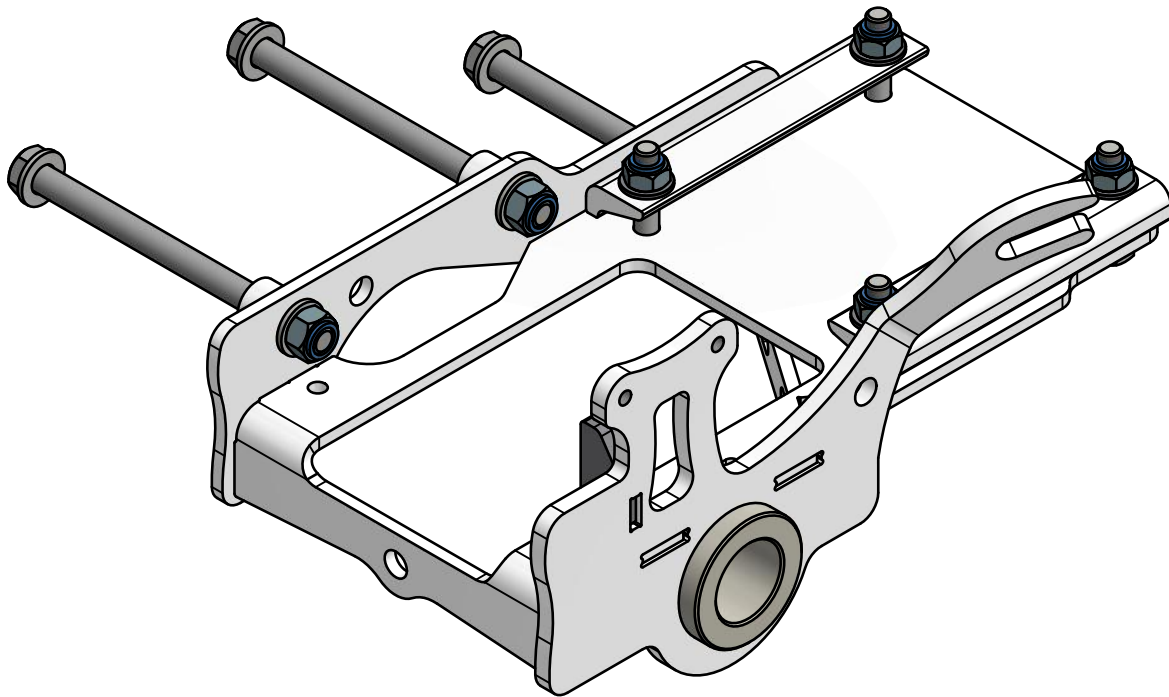


A-Series

Fäste Sidomont. hö TU/ Attachment Sidemount right TU

Art.nr 800851



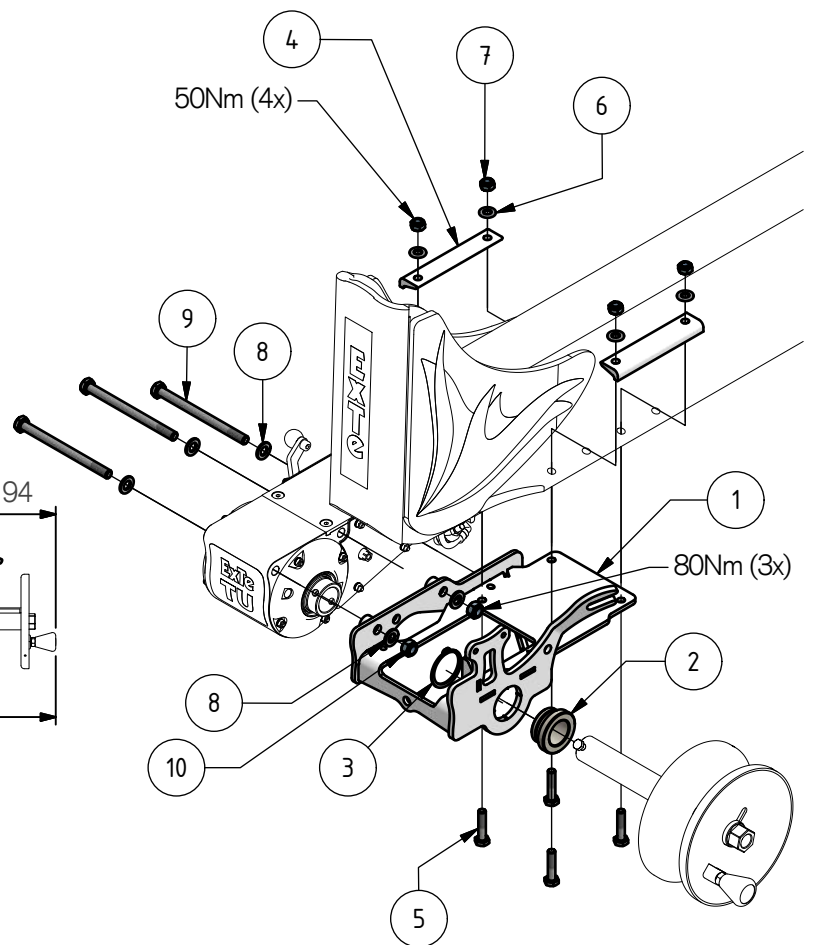
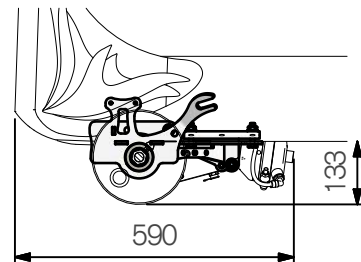
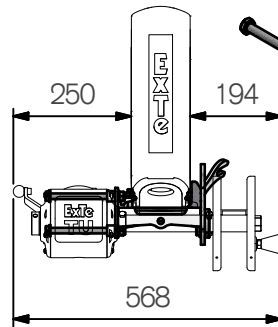
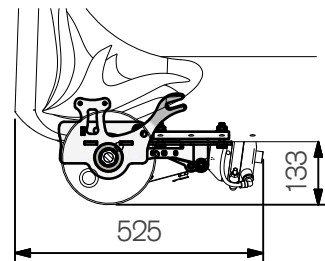
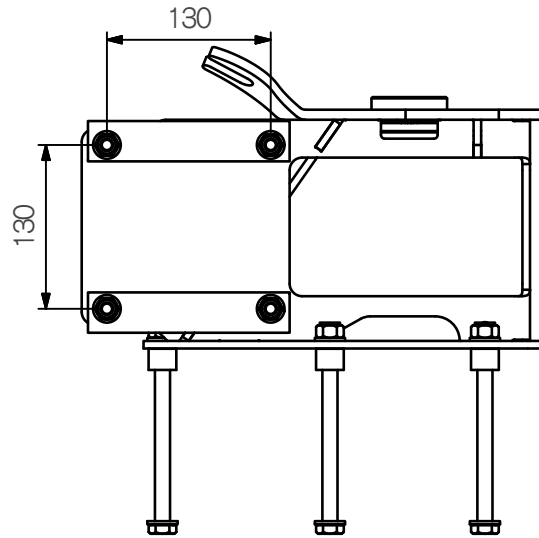
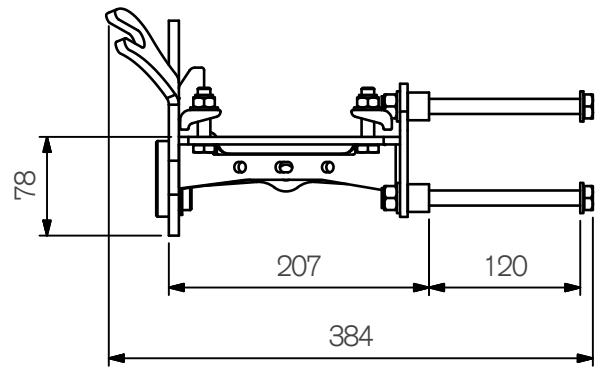
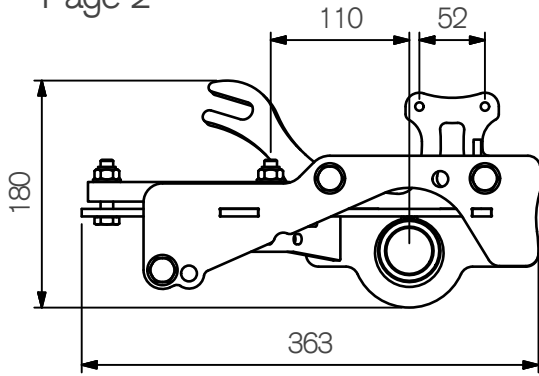
800851 A

ExTe

Securing cargo. We invented the concept.

Fäste Sidomont. hö TU/ Attachment Sidemount right TU

Page 2



Vikt / Weight 5,2kg

Pos.	Qty	Part no.	Beskrivning	Description
1	1	420415	SIDOFÖRFL./UPPHÖJT FÄSTE HÖ A-SERIEN	SIDE- & UPWARD MOVED ATTACHMENT RIGHT A-SERIES
2	1	800850	PLASTBUSSNING	PLASTIC BUSHING
3	1	800727	LÅSRING SGA 50x2	LOCKING RING SGA Ø50x2
4	2	800433	KLÄMLIST BRED	CLAMPING STRIPE WIDE
5	4	211065	SKRUV M6S 10x45 FZB	SCREW M6S 10x45 FZB
6	4	211909	BRICKA 10,5x22x2	WASHER 10,5x22x2
7	4	800165	MUTTER LOC-K M10 FZB	NUT LOC-K M10 FZB
8	6	211907	BRICKA BRB 12 FZB	WASHER BRB 12 FZB
9	3	211099	SKRUV M6S 12x160 FZB	SCREW M6S 12x160 FZB
10	3	211857	MUTTER LOC-K M12 FZB	NUT LOC-K M12 FZB

ExTe

Securing cargo. We invented the Concept.

ExTe Fabriks AB, SE-820 41 Färla Sweden. Tel: +46 (0)651 175 00. Fax: +46 (0)651 175 03. E-mail: info@exte.se www.exte.se