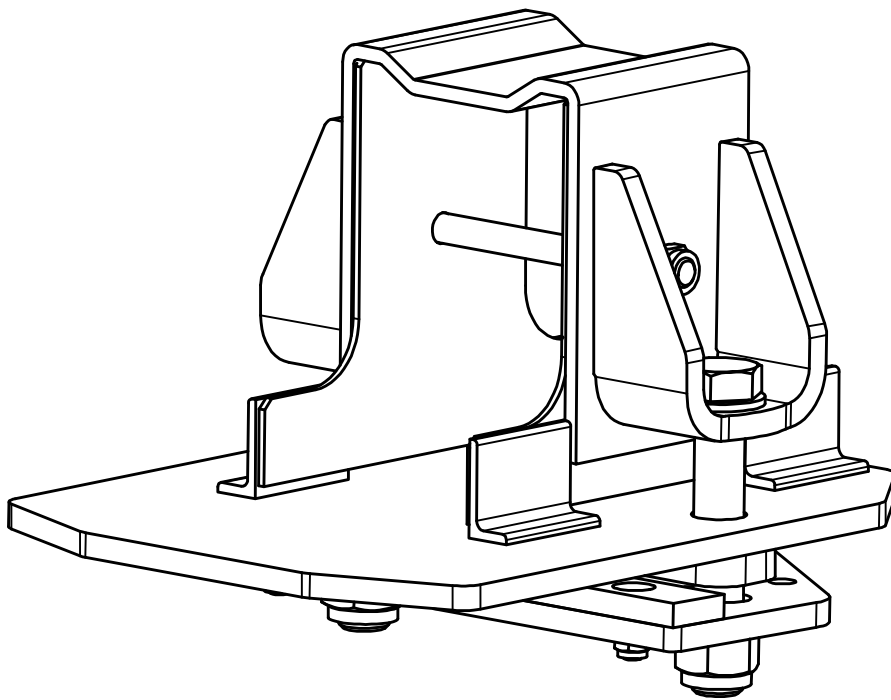


# D/E/144-Series

Flyttbart justerbart glidfäste / Movable adjustable sliding attachment

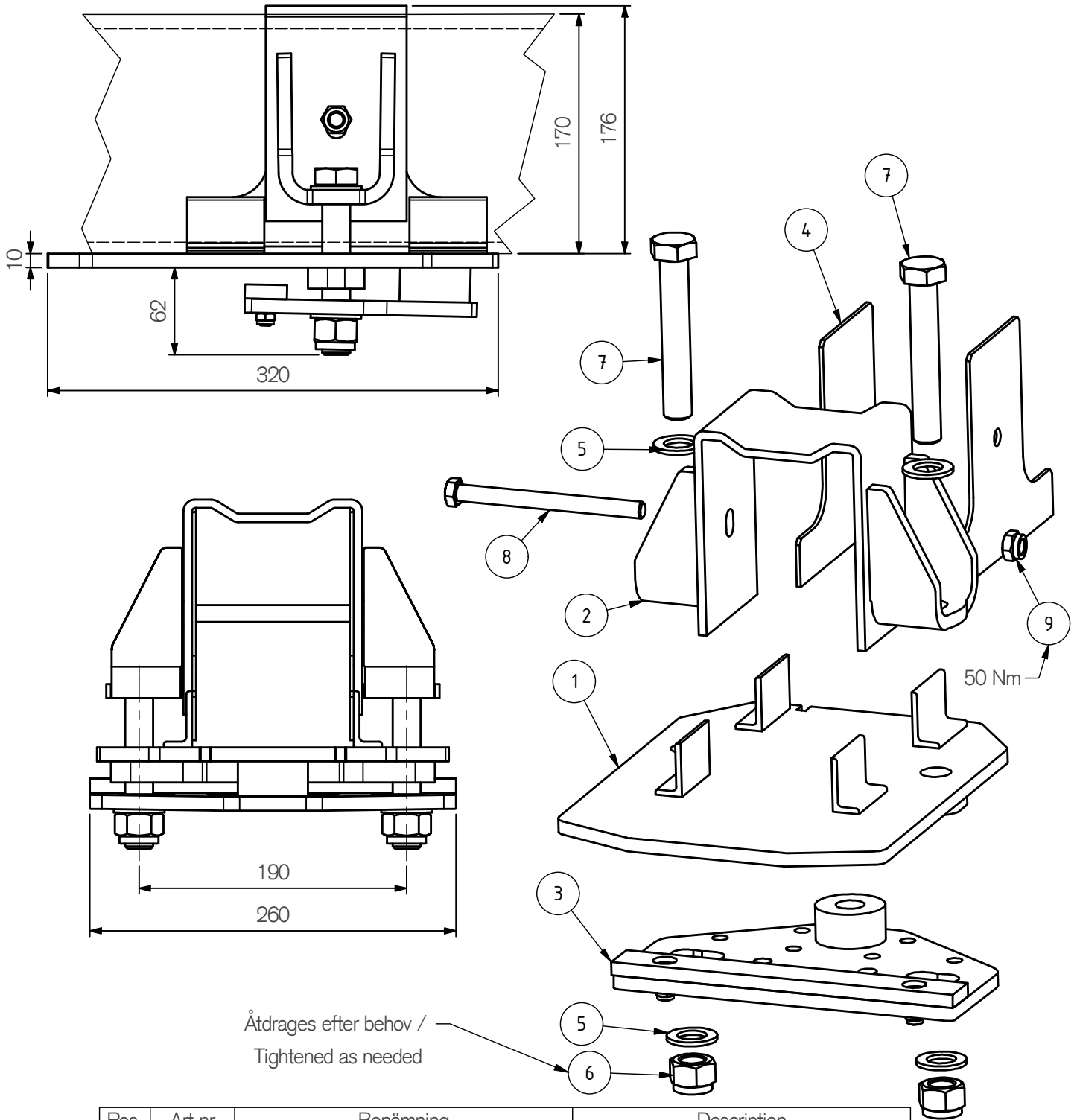
Art.nr 803195



803195 B

# ExTe

Securing cargo. We invented the concept.



Pos.	Art.nr	Benämning	Description
1	800761	MONTERINGSPLATTA	MOUNTING PLATE
2	800765	Överbygel 190 115 147	UPPER CLAMP
3	800981	Underbygel	LOWER CLAMP
4	803073	PLASTDISTANS	PLASTIC DISTANCE
5	211902	BRICKA BRB M20 FZB	WASHER MRM M20 FZB
6	211861	Låsmutter LM6M Hög M20 FZB	LOCKING NUT LM6M HIGH M20 FZB
7	211168	SKRUV M6S M20x120 FZB	SCREW M6S M20x120 FZB
8	211098	Skruv M6S M12x140 FZB	SCREW M6S M12x140 FZB
9	211857	Låsmutter LM6M låg M12 FZB	LOCKING NUT LM6M LOW M12 FZB

# ExTe

Securing cargo. We invented the concept.