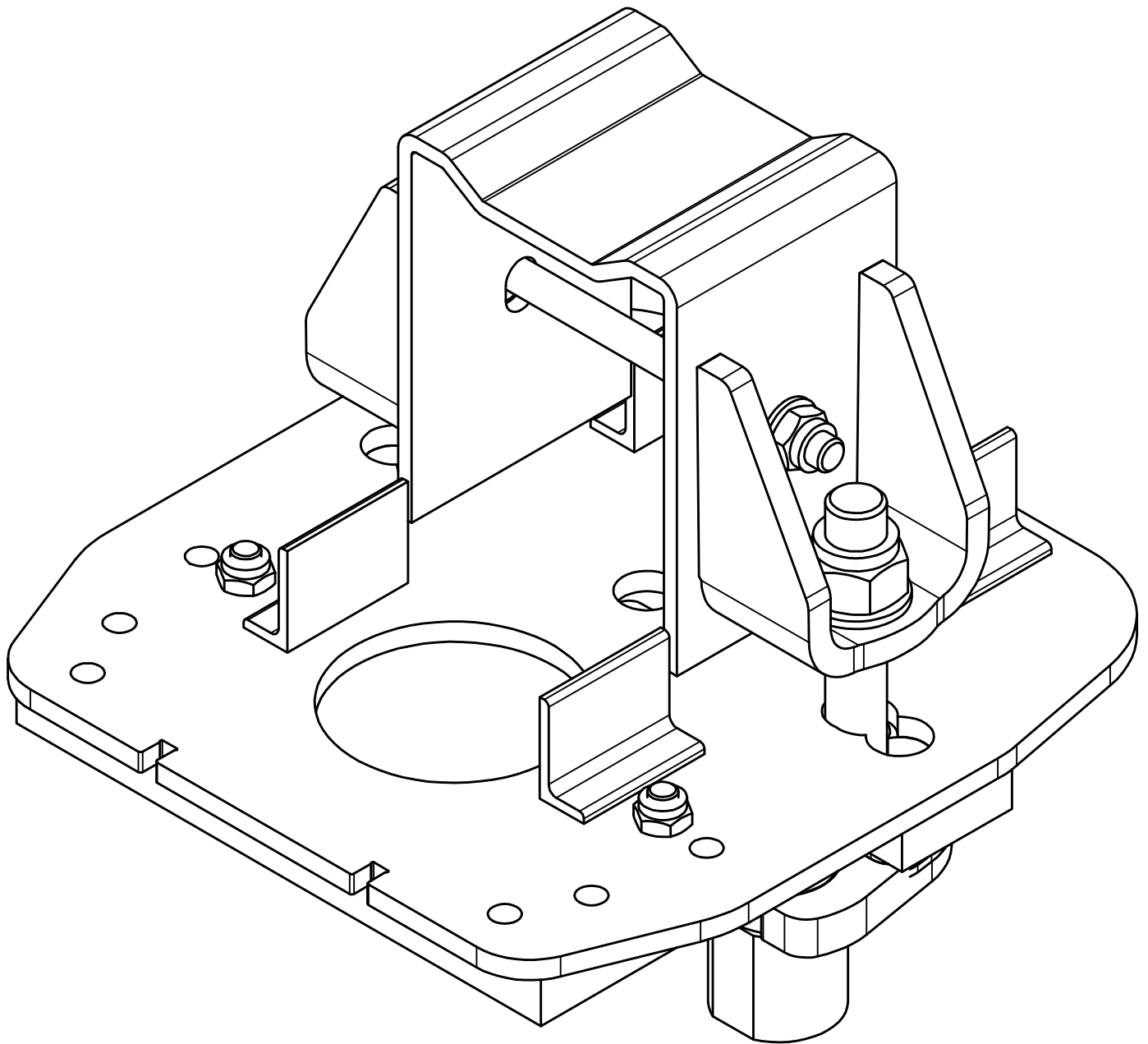


144 / E 4, E 6, E 9

Friktionsfäste / Friction attachment Friktionsbefestigung

Art.nr 800780

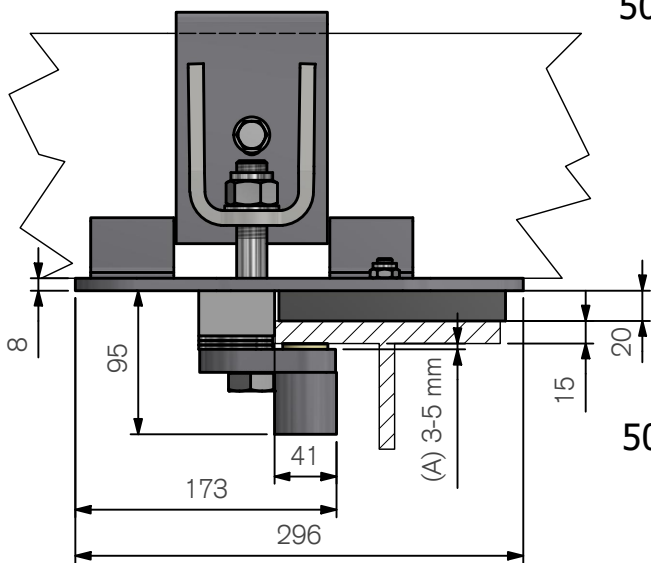


800780_DAT E

ExTe

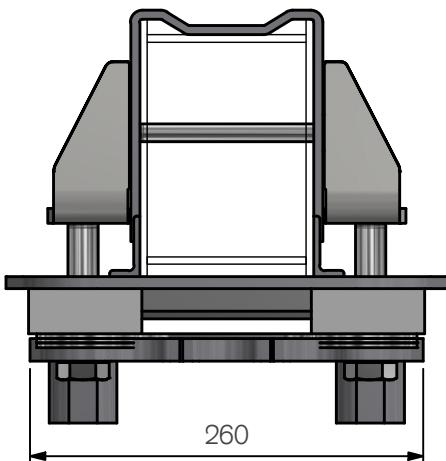
Securing cargo. We invented the concept.

Mått / Dimension / Einbaumasse

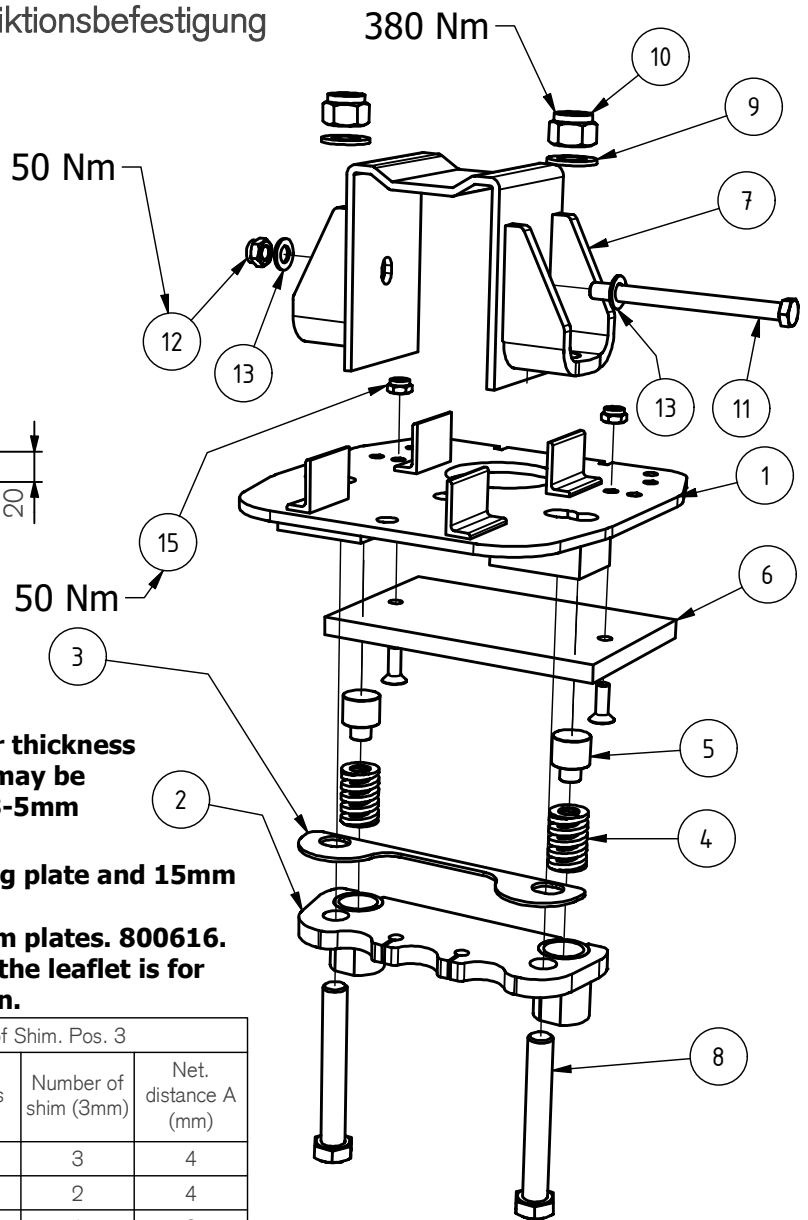


Note! Theoretical values, depending on the color thickness and flatness of the frame flange, an extra shim may be needed. The measurement (A) must always be 3-5mm when mounting the attachment.

**For 20mm sliding plate and 15mm flange.
Use 3 pcs of shim plates. 800616.
The measure in the leaflet is for that combination.**



Number of Shim. Pos. 3			
Sliding Pad (mm)	Frame thickness (mm)	Number of shim (3mm)	Net. distance A (mm)
20	15	3	4
20	12	2	4
20	10	1	3
20	8	1	5
15	15	1	3
15	12	0	3
15	10	0	5



Vikt / Weight / Gewicht: 14.3 kg

Pos.	Art.nr	Benämning	Description	Bezeichnung
1	800771	Monteringsplatta Friktionsfäste	Mounting plate	Grundplatte
2	800602	UNDERBYGEL FRIKTION	Fastening plate	Führungsplatte
3	800616	SHIMS	Shim	Distanzhalter
4	800604	FJÄDER FRIKTIONSFÄSTE	Spring	Spiralfeder
5	800603	PLASTPLUNCH	Plastplunge	Ausgleichspilz
6	800647	Glidplatta 15 mm	Sliding pad 15 mm	Gleitplatte 15 mm
--	800646	Glidplatta 20 mm	Sliding pad 20 mm	Gleitplatte 20 mm
7	800765	Överbygel 190 115 147	Upper part	Bügel oben
8	211171	SKRUV M6S M20x140 FZB	Screw M6S 20 X 140 FZB	Schraube M20 x 140
9	211902	BRICKA BRB M20 FZB	Washer BRB 21 X 36 X 3 FZB	Schiebe M20
10	211861	Låsmutter LM6M Hög M20 FZB	Locking Nut LM6M M20 FZB	Stop Mutter M20
11	211096	SKRUV M6S M12x150 FZB	Screw	Schraube
12	211857	Låsmutter LM6M låg M12 FZB	Locking Nut LM6M M12 FZB	Stop Mutter M12
13	211907	Bricka BRB M12 FZB	Washer	Scheibe
14	211214	Skruv MF6S M10x30 FZB 10,9	Screw	Schraube
15	211856	Låsmutter LM6M låg M10 FZB	Locking Nut	Mutter



Securing cargo. We invented the concept.