

D - Series

Reservdelar / Spare Parts / Ersatzteilliste



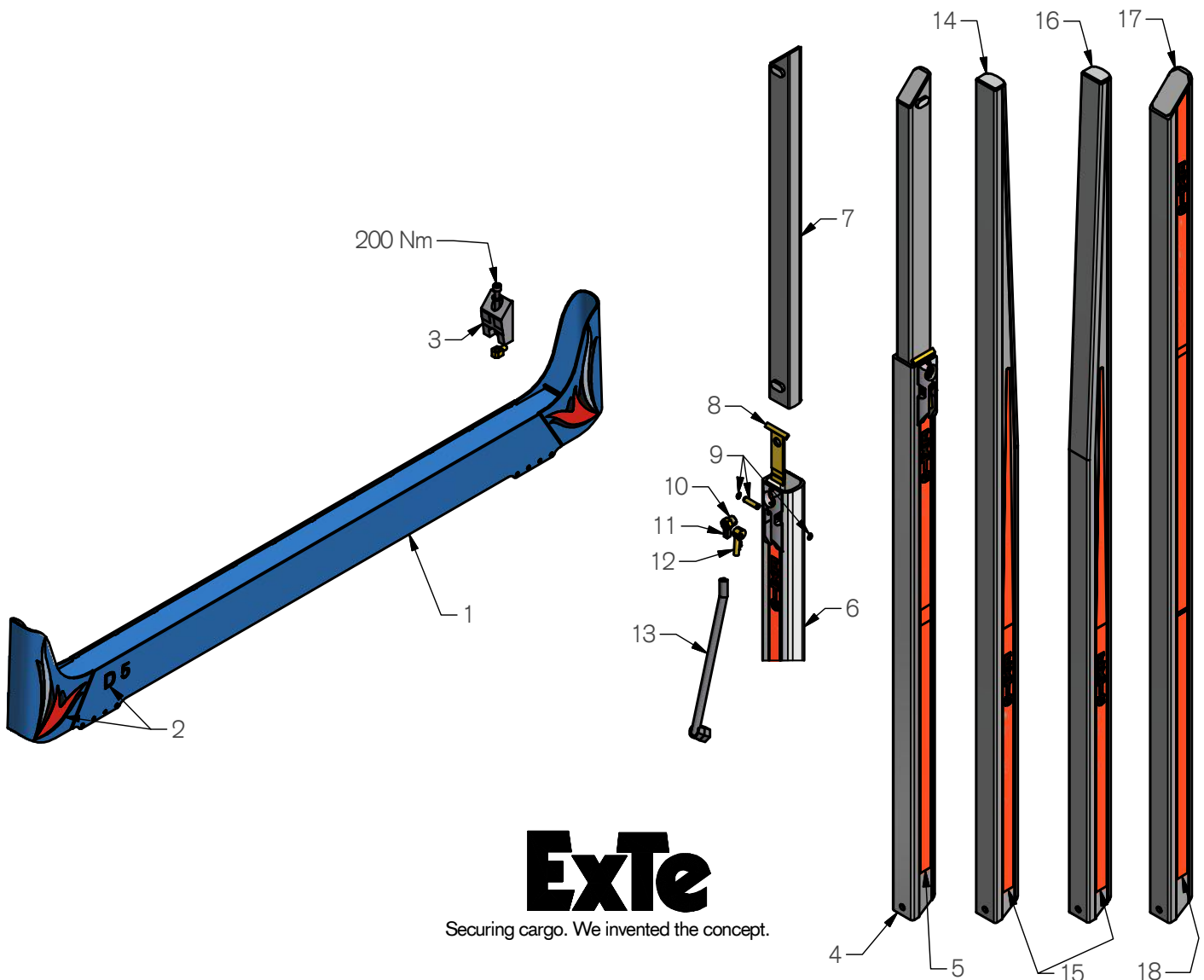
D-Series Spare Parts 2014.05.22

ExTe

Securing cargo. We invented the concept.

D-5

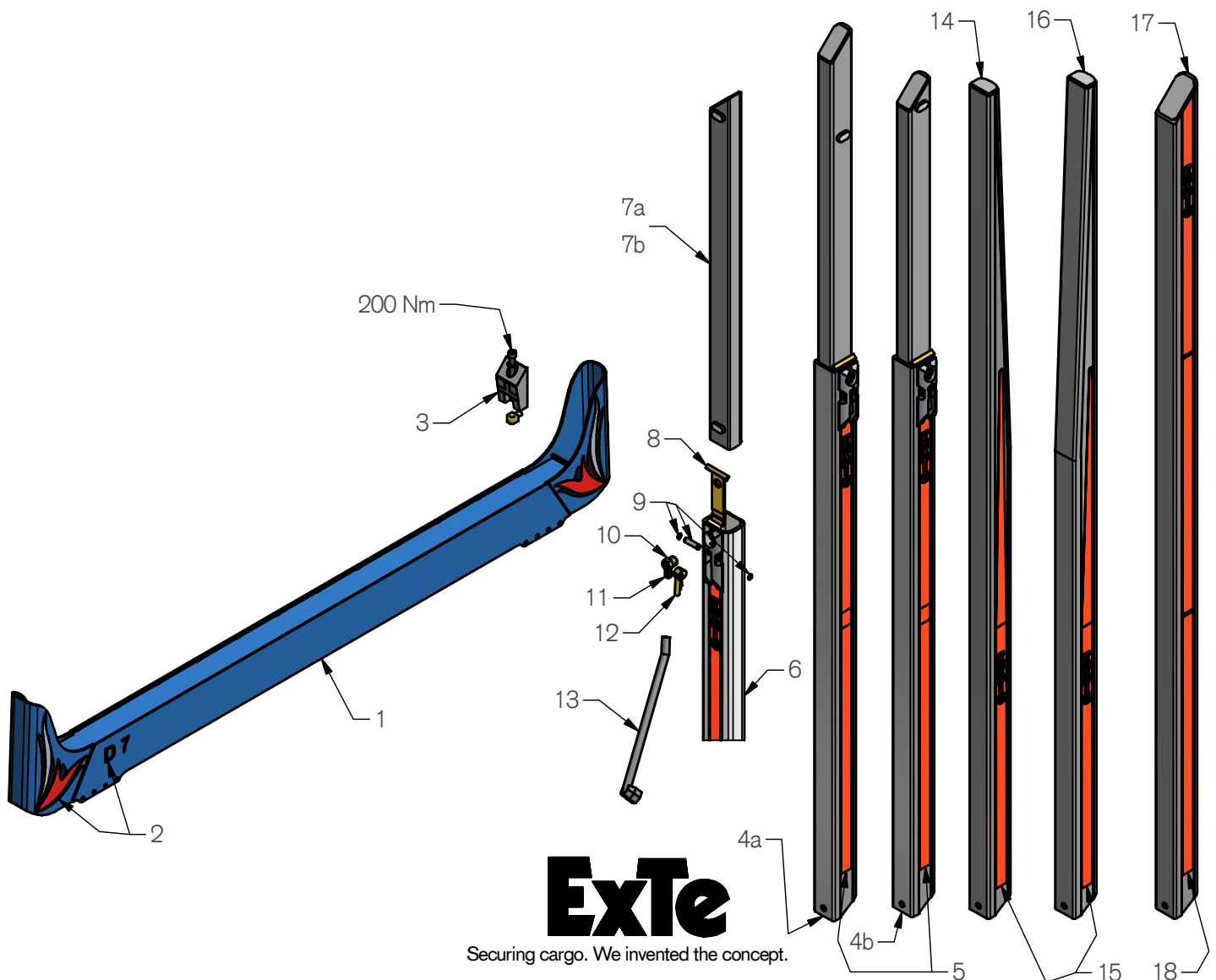
Pos.	Art.nr	BESKRIVNING	DESCRIPTION	BEZEICHNUNG
1	810420	Stomme D5 2.60 m	Bolster D5 2.60 m	Schemelkörper D5 2,60 m
-	810425	Stomme D5 2.55 m	Bolster D5 2.55 m	Schemelkörper D5 2,55 m
-	810428	Stomme D5 2.48 m	Bolster D5 2.48 m	Schemelkörper D5 2,48 m
2	803032	Dekalsats D5 Blå	Decal Kit D5 Blue	Aufkleber D5 Blau
-	803041	Dekalsats D5 Mörk	Decal Kit D5 Dark	Aufkleber D5 Dunkel
-	803036	Dekalsats D5 Silver	Decal Kit D5 Silver	Aufkleber D5 Versilbern
3	810196	Låselement D-serien	Wedge Kit D-series	Rungenbefestigung D-serie
4	802535	Stake D5 Teleskop Lh=3,0 m	Teleskopisk stake D5 Lh=3,0 m	Teleskoprunge D5 3,0 m
5	810157	Dekalsats teleskopstake	Decal Kit teleskopisk stake	Aufkleber teleskoprunge
6	802534	Understake D5 L=2100 mm	Lower section stake L=2100 mm	Rungenprofil unten 2100 mm
7	802575	Överprofil D5 L=1350 mm	Upper section stake L=1350 mm	Aluminiumteleskop 1350 mm
8	814486	Tryckplatta	Pressure plate	Druckplatte
9	814487	Axel inkl. låsringar	Axle incl. lockrings	Achse mit Sicherungsringen
10	800825	Teleskopskruv	Teleskopisk skruv	Teleskopskraube
11	810158	Skruvstopp	Screw stop	Schraubenstop Gummi
12	814491	Excenter	Eccentric	Exzenter
13	814492	Teleskopnyckel	Teleskopisk nyckel	Teleskopnyckel
14	*	Stake D5 Lh=2.3 - 3.0 m	Stake D5 Lh=2.3 - 3.0 m	Runge D5 2,3 - 3,0 m
15	803065	Dekalsats D-stake konisk	Decal kit D-stake conical	Aufkleber konische runge
16	*	Stake Euro-S D5 Lh=2.3 - 3.0 m	Stake Euro-S D5 Lh=2.3 - 3.0 m	Runge Euro-S D5 2,3 - 3,0 m
17	*	Stake Euro D5 Lh=2.3 - 3.0 m	Stake Euro D5 Lh=2.3 - 3.0 m	Runge Euro D5 2,3 - 3,0 m
18	810159	Dekalstas D-stake Euro	Decal Kit D-stake Euro	Aufkleber runge Euro



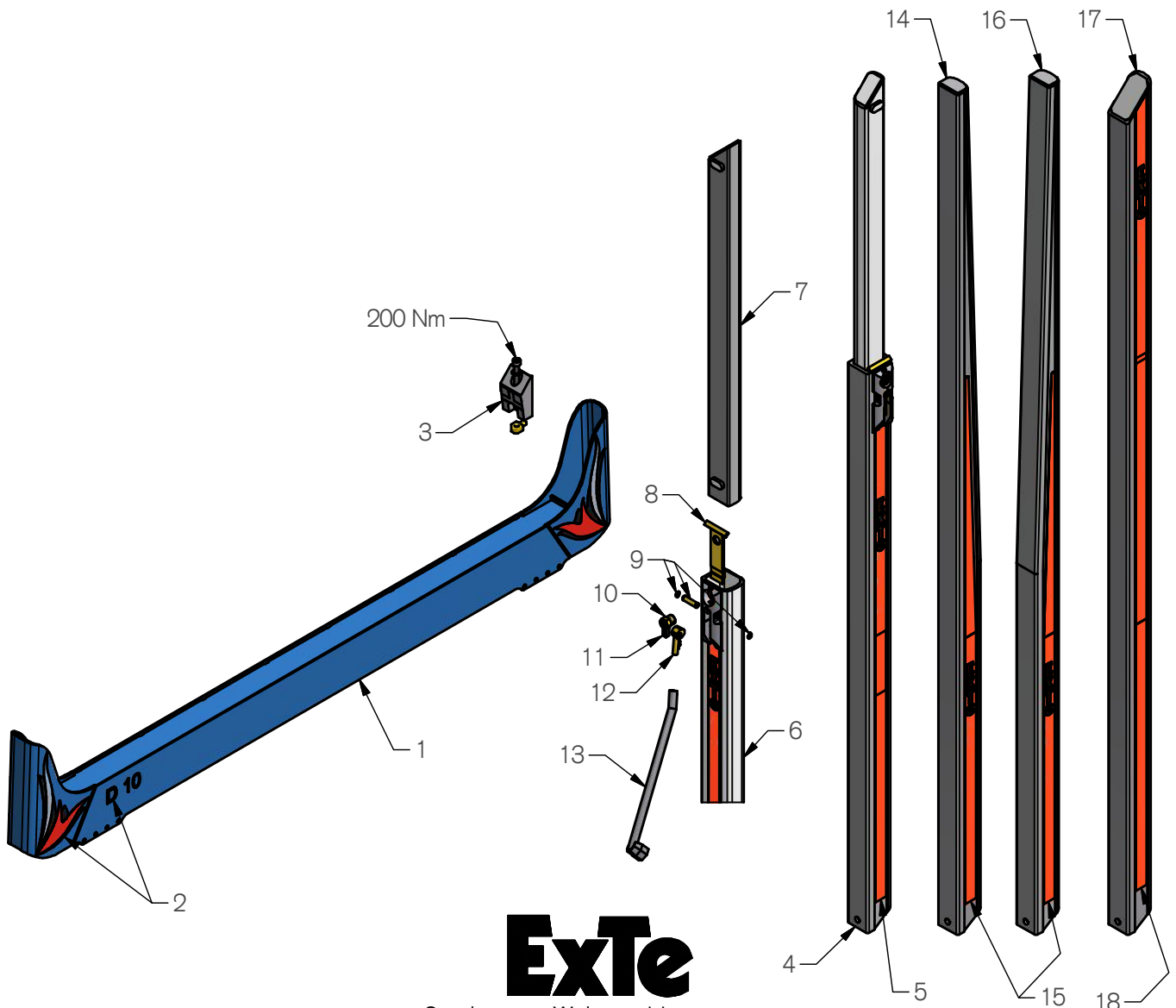
ExTe

Securing cargo. We invented the concept.

Pos.	Art.nr	BESKRIVNING	DESCRIPTION	BEZEICHNUNG																																																																											
1	810410	Stomme D7 2,60 m	Bolster D7 2,60 m	Schemelkörper D7 2,60 m																																																																											
-	810415	Stomme D7 2,55 m	Bolster D7 2,55 m	Schemelkörper D7 2,55 m																																																																											
-	810418	Stomme D7 2,48 m	Bolster D7 2,48 m	Schemelkörper D7 2,48 m																																																																											
2	803033	Dekalsats D7 Blå	Decal Kit D7 Blue	Aufkleber D7 Blau																																																																											
-	803042	Dekalsats D7 Mörk	Decal Kit D7 Dark	Aufkleber D7 Dunkel																																																																											
-	803037	Dekalsats D7 Silver	Decal Kit D7 Silver	Aufkleber D7 Versilbern																																																																											
3	810196	Låselement D-serien	Wedge Kit	Rungenbefestigung D-serie																																																																											
4a	802538	Stake D7 Teleskop Lh=3,2 m	Telescopic Stake D7 Lh=3,2 m	Teleskoprunge D7 3,2 m																																																																											
4b	802537	Stake D7 Teleskop Lh=3,0 m	Telescopic Stake D7 Lh=3,0 m	Teleskoprunge D7 3,0 m </tr <tr> <td>5</td> <td>810157</td> <td>Dekalsats teleskopstake</td> <td>Decal Kit telescopic stake</td> <td>Aufkleber Teleskoprunge</td> </tr> <tr> <td>6</td> <td>802536</td> <td>Understake D7 L=2100 mm</td> <td>Lower section stake L=2100 mm</td> <td>Rungenprofil unten 2100 mm</td> </tr> <tr> <td>7a</td> <td>802575</td> <td>Överprofil D7 L=1350 mm</td> <td>Upper section stake L=1350 mm</td> <td>Aluminiumteleskop 1350 mm</td> </tr> <tr> <td>7b</td> <td>802576</td> <td>Överprofil D7 L=1600 mm</td> <td>Upper section stake L=1600 mm</td> <td>Aluminiumteleskop 1600 mm</td> </tr> <tr> <td>8</td> <td>814486</td> <td>Tryckplatta</td> <td>Pressure plate</td> <td>Druckplatte</td> </tr> <tr> <td>9</td> <td>814487</td> <td>Axel inkl. låsringar</td> <td>Axle incl. lockrings</td> <td>Achse mit Sicherungsringen</td> </tr> <tr> <td>10</td> <td>800825</td> <td>Teleskopskruv</td> <td>Telescopic screw</td> <td>Teleskopschraube</td> </tr> <tr> <td>11</td> <td>810158</td> <td>Skruvstopp</td> <td>Screw stop</td> <td>Schraubenstop Gummi</td> </tr> <tr> <td>12</td> <td>814491</td> <td>Excenter</td> <td>Eccentric</td> <td>Exzenter</td> </tr> <tr> <td>13</td> <td>814492</td> <td>Teleskopnyckel</td> <td>Telescopic key</td> <td>Teleskopschlüssel</td> </tr> <tr> <td>14</td> <td>*</td> <td>Stake D7 Lh=2,3 - 3,2 m</td> <td>Stake D7 Lh=2,3 - 3,2 m</td> <td>Runge D7 2,3 - 3,2 m</td> </tr> <tr> <td>15</td> <td>803065</td> <td>Dekalsats D-stake konisk</td> <td>Decal Kit D-stake conical</td> <td>Aufkleber konische Runge</td> </tr> <tr> <td>16</td> <td>*</td> <td>Stake Euro-S D7 Lh=2,3 - 3,0 m</td> <td>Stake Euro-S D7 Lh=2,3 - 3,0 m</td> <td>Runge Euro-S D7 2,3 - 3,0 m</td> </tr> <tr> <td>17</td> <td>*</td> <td>Stake Euro D7 Lh=2,3 - 3,0 m</td> <td>Stake Euro D7 Lh=2,3 - 3,0 m</td> <td>Runge Euro D7 2,3 - 3,0 m</td> </tr> <tr> <td>18</td> <td>810159</td> <td>Dekalsats D-stake Euro</td> <td>Decal Kit D-stake Euro</td> <td>Aufkleber Runge Euro</td> </tr>	5	810157	Dekalsats teleskopstake	Decal Kit telescopic stake	Aufkleber Teleskoprunge	6	802536	Understake D7 L=2100 mm	Lower section stake L=2100 mm	Rungenprofil unten 2100 mm	7a	802575	Överprofil D7 L=1350 mm	Upper section stake L=1350 mm	Aluminiumteleskop 1350 mm	7b	802576	Överprofil D7 L=1600 mm	Upper section stake L=1600 mm	Aluminiumteleskop 1600 mm	8	814486	Tryckplatta	Pressure plate	Druckplatte	9	814487	Axel inkl. låsringar	Axle incl. lockrings	Achse mit Sicherungsringen	10	800825	Teleskopskruv	Telescopic screw	Teleskopschraube	11	810158	Skruvstopp	Screw stop	Schraubenstop Gummi	12	814491	Excenter	Eccentric	Exzenter	13	814492	Teleskopnyckel	Telescopic key	Teleskopschlüssel	14	*	Stake D7 Lh=2,3 - 3,2 m	Stake D7 Lh=2,3 - 3,2 m	Runge D7 2,3 - 3,2 m	15	803065	Dekalsats D-stake konisk	Decal Kit D-stake conical	Aufkleber konische Runge	16	*	Stake Euro-S D7 Lh=2,3 - 3,0 m	Stake Euro-S D7 Lh=2,3 - 3,0 m	Runge Euro-S D7 2,3 - 3,0 m	17	*	Stake Euro D7 Lh=2,3 - 3,0 m	Stake Euro D7 Lh=2,3 - 3,0 m	Runge Euro D7 2,3 - 3,0 m	18	810159	Dekalsats D-stake Euro	Decal Kit D-stake Euro	Aufkleber Runge Euro
5	810157	Dekalsats teleskopstake	Decal Kit telescopic stake	Aufkleber Teleskoprunge																																																																											
6	802536	Understake D7 L=2100 mm	Lower section stake L=2100 mm	Rungenprofil unten 2100 mm																																																																											
7a	802575	Överprofil D7 L=1350 mm	Upper section stake L=1350 mm	Aluminiumteleskop 1350 mm																																																																											
7b	802576	Överprofil D7 L=1600 mm	Upper section stake L=1600 mm	Aluminiumteleskop 1600 mm																																																																											
8	814486	Tryckplatta	Pressure plate	Druckplatte																																																																											
9	814487	Axel inkl. låsringar	Axle incl. lockrings	Achse mit Sicherungsringen																																																																											
10	800825	Teleskopskruv	Telescopic screw	Teleskopschraube																																																																											
11	810158	Skruvstopp	Screw stop	Schraubenstop Gummi																																																																											
12	814491	Excenter	Eccentric	Exzenter																																																																											
13	814492	Teleskopnyckel	Telescopic key	Teleskopschlüssel																																																																											
14	*	Stake D7 Lh=2,3 - 3,2 m	Stake D7 Lh=2,3 - 3,2 m	Runge D7 2,3 - 3,2 m																																																																											
15	803065	Dekalsats D-stake konisk	Decal Kit D-stake conical	Aufkleber konische Runge																																																																											
16	*	Stake Euro-S D7 Lh=2,3 - 3,0 m	Stake Euro-S D7 Lh=2,3 - 3,0 m	Runge Euro-S D7 2,3 - 3,0 m																																																																											
17	*	Stake Euro D7 Lh=2,3 - 3,0 m	Stake Euro D7 Lh=2,3 - 3,0 m	Runge Euro D7 2,3 - 3,0 m																																																																											
18	810159	Dekalsats D-stake Euro	Decal Kit D-stake Euro	Aufkleber Runge Euro																																																																											



Pos.	Art.nr	BESKRIVNING	DESCRIPTION	BEZEICHNUNG
1	810400	Stomme D10 2,60 m	Bolster D10 2,60 m	Schemelk�rper D10 2,60 m
-	810405	Stomme D10 2,55 m	Bolster D10 2,55 m	Schemelk�rper D10 2,55 m
-	810408	Stomme D10 2,48 m	Bolster D10 2,48 m	Schemelk�rper D10 2,48 m
2	803034	Dekalsats D10 Bl�	Decal Kit D10 Blue	Aufkleber D10 Blau
-	803043	Dekalsats D10 M�rk	Decal Kit D10 Dark	Aufkleber D10 Dunkel
-	803038	Dekalsats D10 Silver	Decal Kit D10 Silver	Aufkleber D10 Versilbern
3	810196	L�selement D-serien	Wedge Kit	Rungenbefestigung D-serie
4	810246	Stake D10 Teleskop Lh=3,0 m	Teleskopisk stake D10 Lh=3,0 m	Teleskoprunge D10 3,0m
5	810157	Dekalsats teleskopstake	Decal Kit teleskoppic stake	Aufkleber teleskoprunge
6	810245	Understake D10 L=2100 mm	Lower section stake L=2100 mm	Rungenprofil unten 2100 mm
7	810175	�verprofil D10 L=1350 mm	Upper section stake L=1350 mm	Aluminiumteleskop 1350 mm
8	814486	Tryckplatta	Pressure plate	Druckplatte
9	814487	Axel inkl. l�sringar	Axle incl. lockrings	Achse mit Sicherungsringen
10	800825	Teleskopskruv	Teleskopisk skruv	Teleskopskruv
11	810158	Skruvstopp	Screw stop	Schraubenstop Gummi
12	814491	Excenter	Eccentric	Excenter
13	814492	Teleskopnyckel	Teleskopisk nyckel	Teleskopsl�ssel
14	*	Stake D10 Lh=2,5 - 3,2 m	Stake D10 Lh=2,5 - 3,2 m	Runge D10 2,5 - 3,2 m
15	803065	Dekalsats D-stake konisk	Decal kit D-stake conical	Aufkleber konische runge
16	*	Stake Euro-S D10 Lh=2,5 - 3,0 m	Stake Euro-S D10 Lh=2,5 - 3,0 m	Runge Euro-S D10 2,5 - 3,0 m
17	*	Stake Euro D10 Lh= 2,4 - 3,0 m	Stake Euro D10 Lh= 2,4 - 3,0 m	Runge Euro D10 2,4 - 3,0 m
18	810159	Dekalsats D-stake Euro	Decal Kit D-stake Euro	Aufkleber runge Euro



ExTe

Securing cargo. We invented the concept.